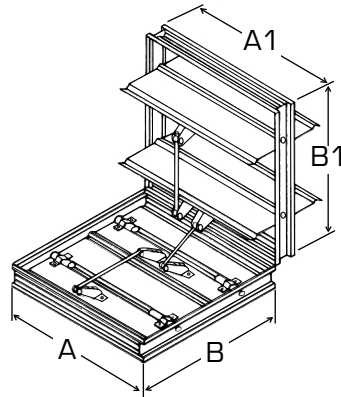


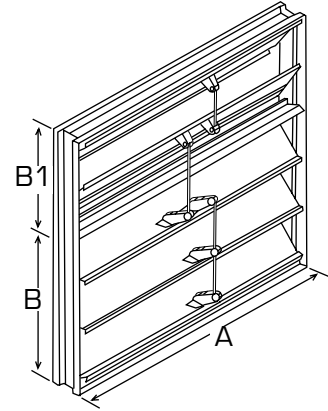


CERTIFICATION & SUBMITTAL
5000 SERIES
Face and Bypass Dampers

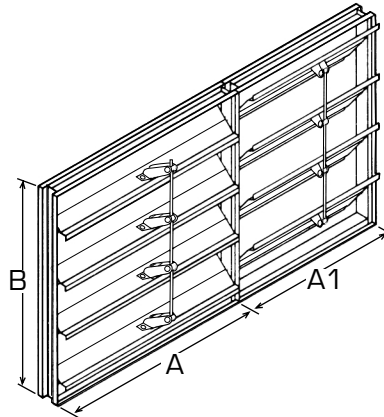
**RIGHT ANGLE
FACE AND
BYPASS**



**VERTICAL
FACE AND
BYPASS**



**HORIZONTAL
FACE AND BYPASS**



OPTIONS AVAILABLE

- 24 Right Angle Mixing Set-up, internal linkage.
- 25 Right Angle Mixing Set-up, external linkage.
- 26 Face & Bypass Set-up, vertical internal linkage.
- 27 Face & Bypass Set-up, vertical external linkage.
- 28 Face & Bypass Set-up, horizontal, internal linkage or jackshaft.

NOTE:

1. Face and Bypass Assemblies available on Models 5100, 5700, 5810 and 5900 only.
2. For damper specifications and options, refer to appropriate Damper Certification and Submittal.