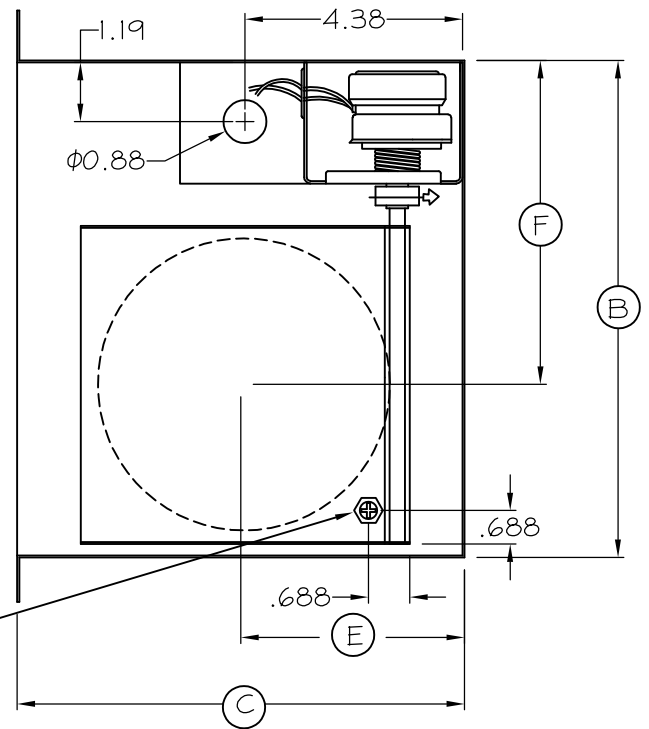


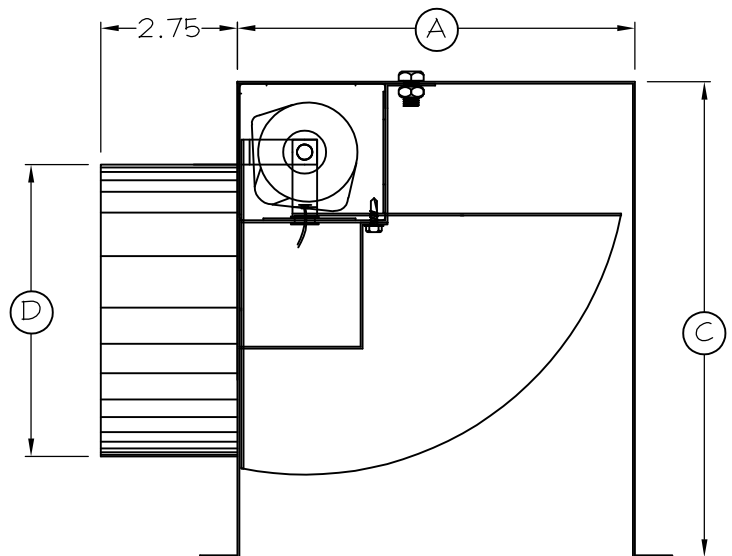
Elevation



Section 2

Model	A	B	C	D	E	F
S-SENF	6	8	9	3.88	3.38	5.50
S-EENF	8	8	9	3.88	3.38	5.50
S-ETNS	8	10	9	5.88	4.38	6.50
S-TTNS	10	10	9	5.88	4.38	6.50
S-TTNF	10	10	9	3.88	3.38	5.50

STANDARD CONSTRUCTION
 CASING: 20 GA. GALV. STEEL
 BLADE: 20 GA. GALV. STEEL
 BLADE AXLE: 5/16" DIA.
 SEALS: 1/2x1/4 polyurethane foam
 ACTUATOR COVER: 20 GA. GALV.
 ACTUATOR: 120-Vac spring return



Section 1



PLEASE SPECIFY:
 WALL MOUNT
 CEILING MOUNT

VP **VENT PRODUCTS CO., INC.**
 1901 SO. KILBOURN AVE.
 CHICAGO, ILLINOIS 60623

ARCH/ENGR: _____ CUSTOMER: _____

The information contained in the drawing is the sole property of Vent Products. Any reproduction in part or whole without the proper consent of Vent Products is prohibited.

(Do not scale drawing) Unless specified dimensions are in inches tolerances are +/- 1/16" (.0625") and +/- 1.

REV.	DATE	BY	PROJECT:	TITLE:
			DATE: 8/23/19	DRWG #: VP-001
			DRAWN: jn CHKD: JN	