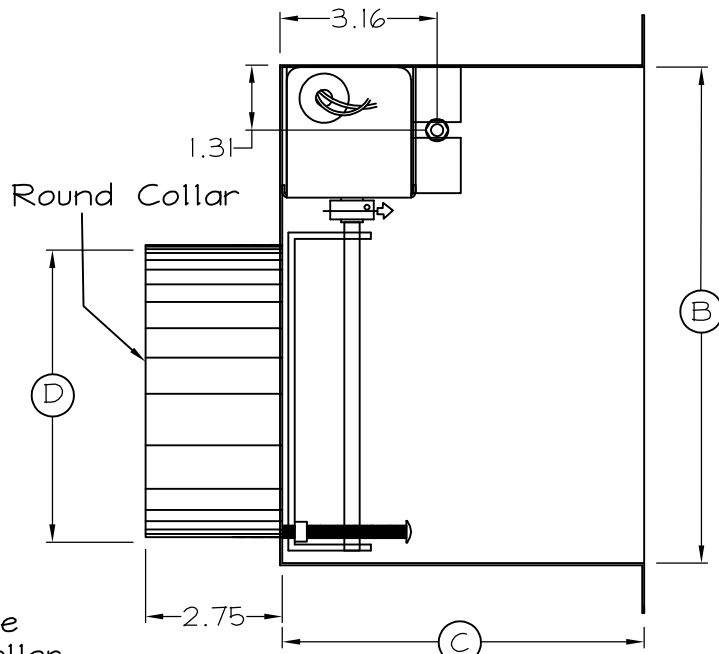


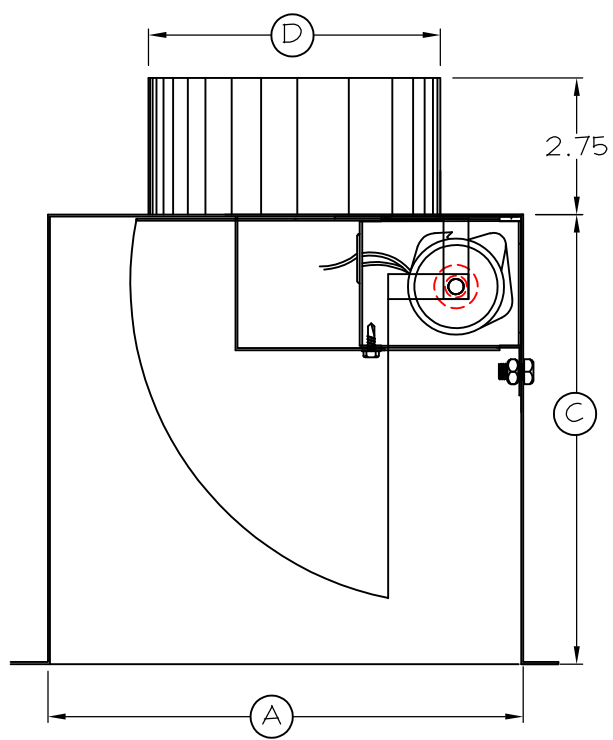
Elevation



Sect. 1

| Model  | A  | B  | C | D    | E    | F    |
|--------|----|----|---|------|------|------|
| R-SENF | 6  | 8  | 9 | 3.88 | 3.38 | 5.50 |
| R-EENF | 8  | 8  | 9 | 3.88 | 3.38 | 5.50 |
| R-ETNS | 8  | 10 | 9 | 5.38 | 4.38 | 6.50 |
| R-TTNS | 10 | 10 | 9 | 5.38 | 4.38 | 6.50 |

STANDARD CONSTRUCTION  
 CASING: 20 GA. GALV. STEEL  
 BLADE: 20 GA. GALV. STEEL  
 BLADE AXLE: 5/16" DIA.  
 SEALS: 1/2x1/4 polyurethane foam  
 ACTUATOR COVER: 20 GA. GALV.  
 ACTUATOR: 120 VAC MSI



Sect. 2



PLEASE SPECIFY:  
 WALL MOUNT  
 CEILING MOUNT



**VENT PRODUCTS CO., INC.**

1901 SO. KILBOURN AVE.  
 CHICAGO, ILLINOIS 60623

|            |           |
|------------|-----------|
| ARCH/ENGR: | CUSTOMER: |
|------------|-----------|

The information contained in the drawing is the sole property of Vent Products. Any reproduction in part or whole without the proper consent of Vent Products is prohibited.

(Do not scale drawing) Unless specified dimensions are in inches tolerances are +/- 1/16" (.0625") and +/- 1.

| REV. | DATE | BY | PROJECT:  | TITLE:  |
|------|------|----|-----------|---------|
|      |      |    |           |         |
|      |      |    | DATE:     |         |
|      |      |    | 8/23/19   |         |
|      |      |    | DRAWN: jn | DRWG #: |
|      |      |    | CHKD: JN  | VP-002  |