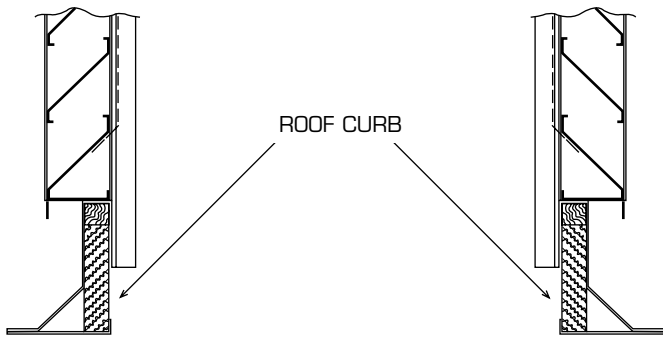
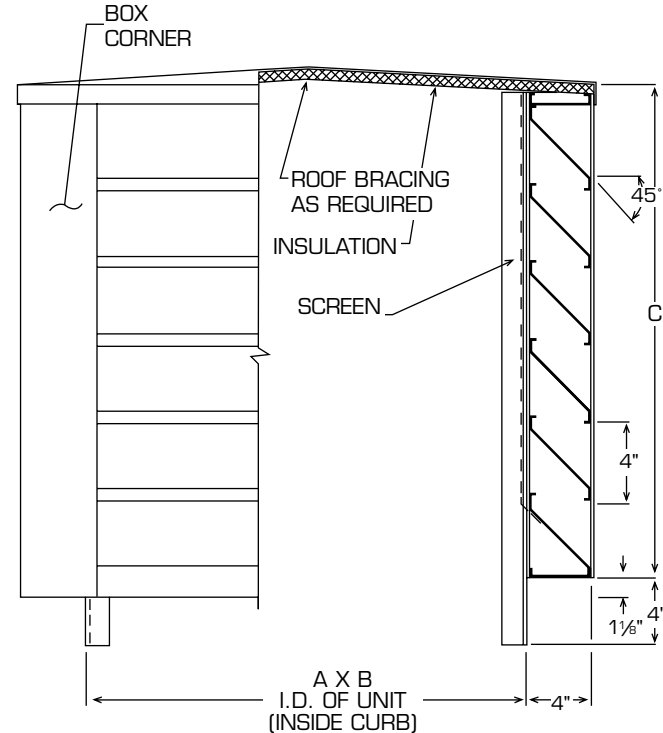




**CERTIFICATION & SUBMITTAL**  
**MODEL 7242**  
**Fabricated Metal Penthouses - 4" J Blade**



**Penthouse Model  
7242**

**Corners  
Box**

**Louver Model  
4400**

**STANDARD SPECIFICATIONS**

- **FRAME:** 1-1/2" x 1-1/2" x 1/8" galvanized steel structural angles.
- **BLADES:** 18 ga. galvanized steel.
- **ROOF:** Removable 18 ga. galvanized steel press formed and screwed to frame.
- **INSULATION:** 1/2" fiberglass on underside of roof.
- **BIRDSCREEN:** 19 ga. galvanized steel, 1/2" mesh.
- **CONSTRUCTION:** Box Corner - 18 ga. galvanized steel press formed.
- **FINISH:** Standard Mill.

**OPTIONS**

- 36 All welded construction.
- 40 Standard Screen in Removable Frame.
- 42 18 x 16 Mesh Aluminum Insect Screen (removable).
- 45 1/2" x 1/2" x .063 Aluminum Screen.
- 47 1/2" x 1/2" x 19 ga. P.V.C. Coated Birdscreen.
- 81 16 ga. Construction.
- 86 Aluminum Construction.
- 88 Paint Grip Material Construction.
- 95 Finishing.

**NOTES**

1. A and B are opening dimensions. Unless otherwise specified, penthouses are made 1/2" undersize.
2. Refer to form #4402 for louver construction.
3. Refer to catalog #8000 for roof curb information.
4. Large units, depending on freight requirements are shipped knocked down in multiple sections for field assembly.

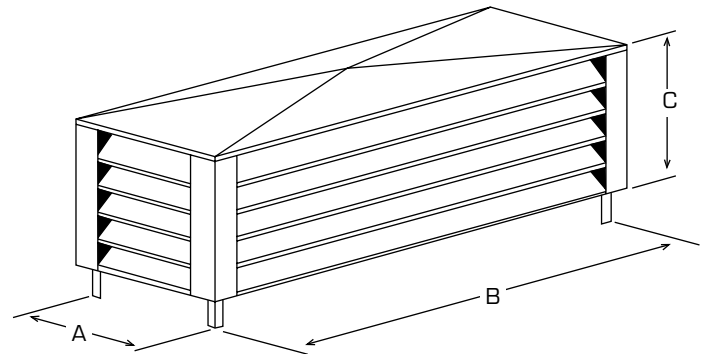
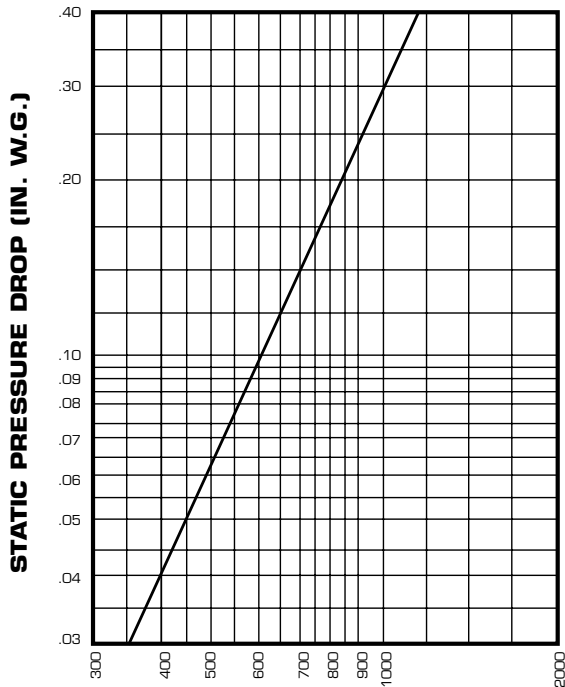
**PERFORMANCE DATA  
MODEL 7242  
Fabricated Metal Penthouses - 4" J Blade**

**FREE AREA CHART**

		<b>A - WIDTH or B LENGTH (In Inches)</b>															
		12	16	20	24	28	32	36	40	44	48	52	56	60	64	68	72
<b>C - HEIGHT (In Inches)</b>	12	.28	.39	.50	.60	.71	.82	.93	1.04	1.15	1.26	1.37	1.47	1.58	1.69	1.80	1.91
	16	.43	.59	.76	.93	1.10	1.26	1.43	1.60	1.76	1.93	2.10	2.27	2.43	2.60	2.77	2.92
	20	.58	.80	1.03	1.25	1.48	1.70	1.93	2.15	2.38	2.61	2.83	3.06	3.28	3.51	3.73	3.96
	24	.73	1.01	1.29	1.58	1.86	2.15	2.43	2.71	3.00	3.28	3.56	3.85	4.13	4.41	4.70	4.98
	28	.88	1.22	1.56	1.90	2.24	2.59	2.93	3.27	3.61	3.95	4.30	4.64	4.98	5.32	5.66	6.01
	32	1.03	1.43	1.83	2.23	2.63	3.03	3.43	3.83	4.23	4.63	5.03	5.43	5.83	6.23	6.63	7.03
	36	1.18	1.63	2.09	2.55	3.01	3.47	3.93	4.39	4.84	5.30	5.76	6.22	6.68	7.14	7.60	8.06
	40	1.32	1.84	2.36	2.88	3.39	3.91	4.43	4.94	5.46	5.98	6.49	7.01	7.53	8.05	8.56	9.08
	44	1.47	2.05	2.63	3.20	3.78	4.35	4.93	5.50	6.08	6.65	7.23	7.80	8.38	8.95	9.53	10.10
	48	1.62	2.26	2.89	3.52	4.16	4.79	5.43	6.06	6.69	7.33	7.96	8.59	9.23	9.86	10.50	11.13
	52	1.77	2.47	3.16	3.85	4.54	5.23	5.93	6.62	7.31	8.00	8.69	9.39	10.08	10.77	11.46	12.15
	56	1.92	2.67	3.42	4.17	4.92	5.67	6.42	7.18	7.93	8.68	9.43	10.18	10.93	11.68	12.43	13.18
	60	2.07	2.88	3.69	4.50	5.31	6.12	6.92	7.73	8.54	9.35	10.16	10.97	11.78	12.59	13.39	14.20
	64	2.22	3.09	3.96	4.82	5.69	6.56	7.42	8.29	9.16	10.02	10.89	11.76	12.63	13.49	14.36	15.23
	68	2.37	3.30	4.22	5.15	6.07	7.00	7.92	8.85	9.77	10.70	11.62	12.55	13.48	14.40	15.33	16.25
	72	2.52	3.50	4.49	5.47	6.46	7.44	8.42	9.41	10.39	11.37	12.36	13.34	14.32	15.31	16.29	17.28

**FREE AREA (Sq. Ft.) PER LOUVER SECTION**

**AIR PERFORMANCE**



**Free Area = {2 (AxC)} + {2 (BxC)}**

Example:                    Model 7242  
                                   24" (A) x 48" (B) x 20" (C) I.D. Dimensions  
 Free Area =                {2 (Free Area of 24" x 20")} + {2 (Free Area of 48" x 20")}  
 Free Area =                {2 (1.25)} + {2 (2.61)}  
 Free Area =                (2.50) + (5.22)  
 Free Area =                7.72 Sq. Ft.

It is possible for moisture to penetrate louvers under adverse atmospheric conditions. Drained ductwork or other means of drainage is recommended.

**FREE AREA VELOCITY (FPM)**

Data shown includes the effect of 1/2" x 1/2" x 19 ga galvanized birdscreen. Graphs are corrected to standard air density .075 lb. per cubic ft.

**RECOMMENDED MAXIMUM INTAKE FREE AREA VELOCITY 650 F.P.M.**