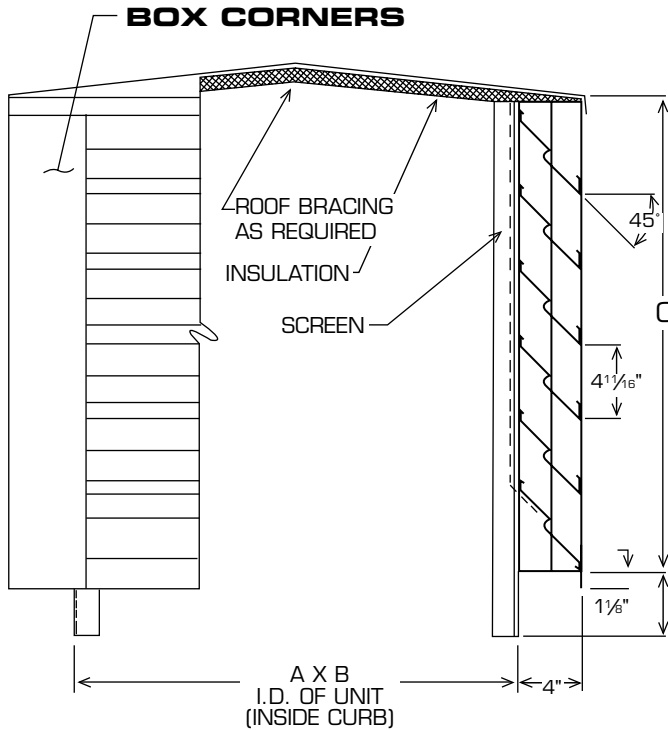




**CERTIFICATION & SUBMITTAL  
MODEL 7162  
Extruded Aluminum Penthouses**



**STANDARD SPECIFICATIONS**

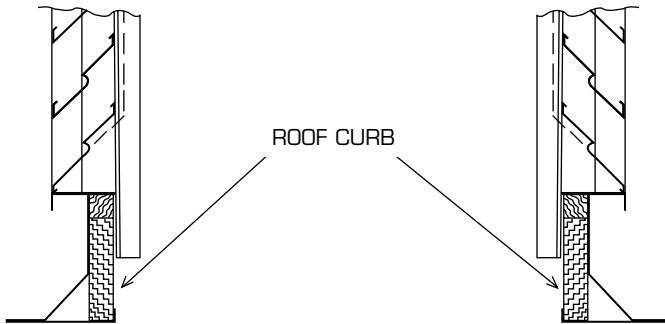
- **FRAME:** 1-1/2" x 1-1/2" x 1/8" aluminum structural angles.
- **BLADES:** .080 6063T5 extruded aluminum.
- **ROOF:** Removable .063 3003-H-14 aluminum press formed and screwed to frame.
- **INSULATION:** 1/2" fiberglass on underside of roof.
- **BIRDSCREEN:** .051 x 3/4" diamond pattern expanded aluminum.
- **CONSTRUCTION:** Box Corner - .063 aluminum.
- **FINISH:** Standard Mill.

**OPTIONS**

- 40 Standard Screen in Removable Frame.
- 42 18 x 16 Mesh Aluminum Insect Screen (removable).
- 45 1/2" x 1/2" x .063 Aluminum Screen.
- 47 1/2" x 1/2" x 19 Gauge P.V.C. Coated Birdscreen.
- 95 Finishing (add roof when determining sq. ft.).
- 99 Nonstandard Option on Standard Products, Specify.

**NOTES**

1. A and B are opening dimensions. Unless otherwise specified, penthouses are made 1/2" undersize.
2. Refer to form #2752 for louver construction.
3. Refer to catalog #8000 for roof curb information.
4. Large units, depending on freight requirements are shipped knocked down in multiple sections for field assembly.



**Penthouse Model  
7162**

**Corners  
Box**

**Louver Model  
2750**



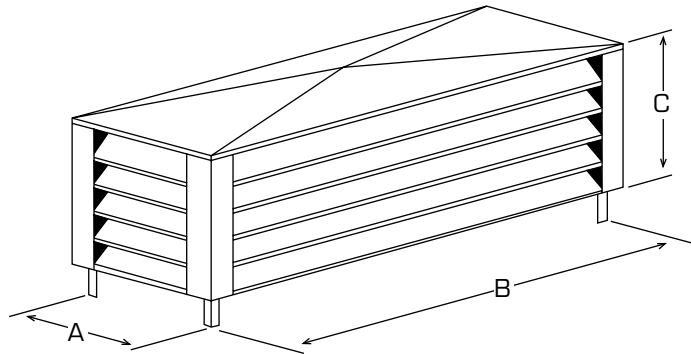
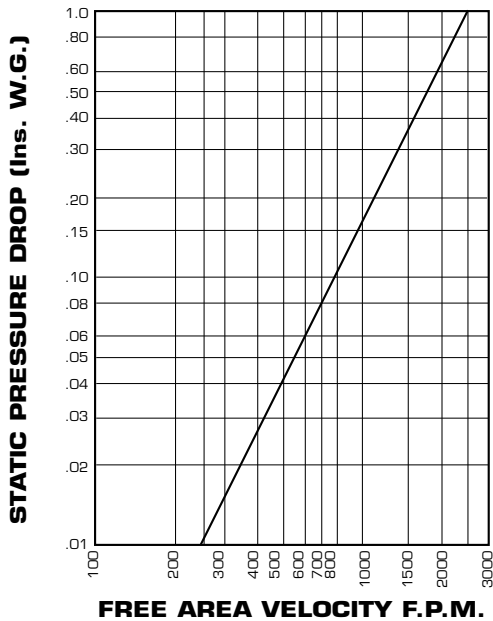
**PERFORMANCE DATA  
MODEL 7162  
Extruded Aluminum Penthouses**

**FREE AREA CHART**

		<b>A - WIDTH or B LENGTH (In Inches)</b>																
		8	12	16	20	24	28	32	36	40	44	48	52	56	60	64	68	72
<b>C - HEIGHT (In Inches)</b>	12	.11	.19	.26	.34	.41	.48	.56	.63	.71	.78	.86	.93	1.01	1.08	1.16	1.23	1.31
	16	.18	.29	.41	.52	.64	.76	.88	.99	1.11	1.23	1.34	1.46	1.58	1.70	1.81	1.93	2.05
	20	.27	.44	.62	.79	.97	1.15	1.32	1.50	1.68	1.85	2.03	2.21	2.39	2.56	2.74	2.92	3.09
	24	.35	.59	.82	1.06	1.30	1.53	1.77	2.01	2.25	2.48	2.72	2.96	3.19	3.43	3.67	3.90	4.14
	28	.44	.73	1.03	1.33	1.63	1.92	2.22	2.52	2.81	3.11	3.41	3.70	4.00	4.30	4.59	4.89	5.19
	32	.52	.86	1.21	1.56	1.91	2.26	2.61	2.96	3.31	3.66	4.01	4.36	4.71	5.06	5.40	5.75	6.10
	36	.58	.97	1.36	1.75	2.14	2.53	2.92	3.31	3.70	4.09	4.48	4.87	5.26	5.65	6.04	6.43	6.82
	40	.64	1.07	1.50	1.93	2.36	2.79	3.22	3.65	4.08	4.51	4.94	5.37	5.81	6.24	6.67	7.10	7.53
	44	.71	1.19	1.67	2.15	2.64	3.12	3.60	4.08	4.56	5.04	5.52	6.01	6.49	6.97	7.45	7.93	8.41
	48	.80	1.33	1.86	2.40	2.94	3.47	4.01	4.55	5.08	5.62	6.16	6.69	7.23	7.77	8.30	8.84	9.37
	52	.88	1.48	2.07	2.67	3.27	3.86	4.46	5.05	5.65	6.25	6.84	7.44	8.04	8.63	9.23	9.82	10.42
	56	.97	1.62	2.28	2.94	3.59	4.25	4.91	5.56	6.22	6.87	7.53	8.19	8.84	9.50	10.16	10.81	11.47
	60	1.04	1.75	2.45	3.16	3.86	4.57	5.27	5.98	6.68	7.39	8.09	8.80	9.50	10.21	10.91	11.62	12.32
	64	1.10	1.85	2.59	3.34	4.08	4.83	5.58	6.32	7.07	7.81	8.54	9.28	10.01	10.74	11.47	12.20	12.93
	68	1.16	1.96	2.73	3.52	4.31	5.09	5.88	6.67	7.46	8.24	9.03	9.82	10.60	11.39	12.18	12.96	13.75
	72	1.24	2.07	2.90	3.74	4.58	5.41	6.25	7.08	7.92	8.76	9.59	10.43	11.26	12.10	12.94	13.77	14.61

**FREE AREA (Sq. Ft.) PER LOUVER SECTION**

**AIR PERFORMANCE**



**Free Area = {2 (Ax C)} + {2 (BxC)}**

Example: Model 7162  
 48" (A) x 72" (B) x 36" (C) I.D. Dimensions  
 Free Area = {2 (Free Area of 48" x 36")} + {2 (Free Area of 72" x 36")}  
 Free Area = {2 (4.48)} + {2 (6.82)}  
 Free Area = (8.96) + (13.64)  
 Free Area = 22.6 Sq. Ft.

It is possible for moisture to penetrate louvers under adverse atmospheric conditions. Drained ductwork or other means of drainage is recommended.

Data shown includes the effect of .051 x 3/4" diamond pattern aluminum birdscreen. Graphs are corrected to standard air density .075 lb. per cubic ft.

**RECOMMENDED MAXIMUM INTAKE FREE AREA VELOCITY 850 F.P.M.**