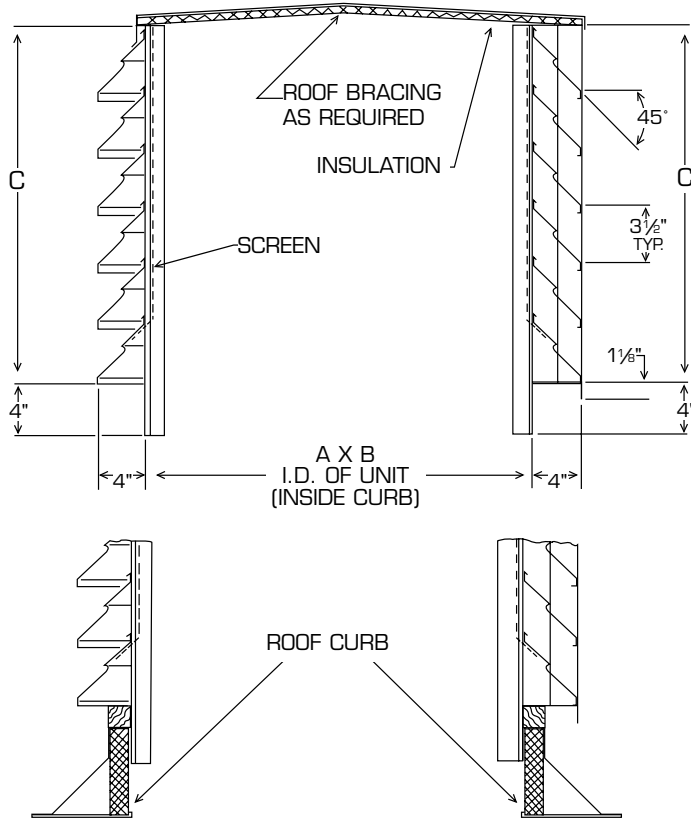




**CERTIFICATION & SUBMITTAL
 MODEL 7150
 Extruded Aluminum Penthouses**



STANDARD SPECIFICATIONS

- **FRAME:** 1-1/2" x 1-1/2" x 1/8" aluminum structural angles.
- **BLADES:** .080 6063T5 extruded aluminum.
- **ROOF:** Removable .063 3003-H-14 aluminum press formed and screwed to frame.
- **INSULATION:** 1/2" fiberglass on underside of roof.
- **BIRDSCREEN:** .051 x 3/4" diamond pattern expanded aluminum.
- **CONSTRUCTION:**
 - A. Mitered Corner – heliarc welded mitered corners.
 - B. Box Corner – .063 aluminum.

OPTIONS

- 40 Standard Screen in Removable Frame.
- 42 18 x 16 Mess Aluminum Insect Screen (removable).
- 45 1/2" x 1/2" x .063 Aluminum Screen.
- 47 1/2" x 1/2" x 19 Gauge P.V.C. Coated Birdscreen.
- 95 Finishing (add roof when determining sq. ft.).
- 99 Nonstandard Option on Standard Product, Specify.

NOTES

1. A and B are opening dimensions. Unless otherwise specified, penthouses are made 1/2" undersize.
2. Refer to form #2742 for louver construction.
3. Refer to catalog #8000 for roof curb information.
4. Large units, depending on freight requirements are shipped knocked down in multiple sections for field assembly.

Penthouse Model	Corners	Louver Model
7151	Miter	2740
7152	Box	2740

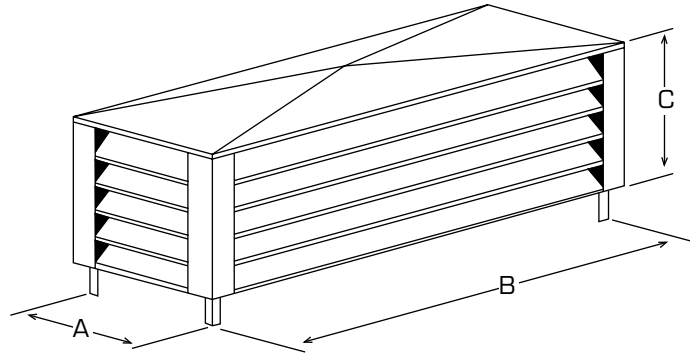
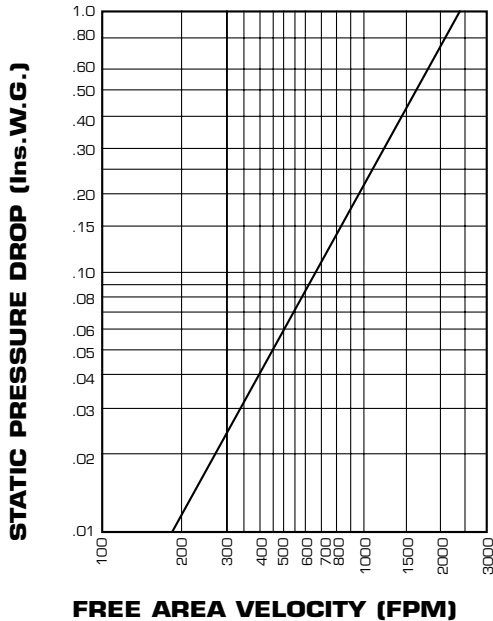
**PERFORMANCE DATA
MODEL 7150
Extruded Aluminum Penthouses**

FREE AREA CHART

		A - WIDTH or B LENGTH (In Inches)															
		12	16	20	24	28	32	36	40	44	48	52	56	60	64	68	72
C - HEIGHT (In Inches)	12	.21	.29	.38	.46	.55	.63	.72	.80	.89	.97	1.06	1.14	1.23	1.31	1.40	1.48
	16	.33	.46	.59	.73	.86	.99	1.13	1.26	1.39	1.53	1.66	1.79	1.92	2.06	2.19	2.32
	20	.46	.65	.83	1.02	1.21	1.39	1.58	1.76	1.95	2.14	2.32	2.51	2.70	2.88	3.07	3.25
	24	.61	.86	1.11	1.36	1.61	1.86	2.10	2.35	2.60	2.85	3.10	3.35	3.59	3.84	4.09	4.34
	28	.77	1.08	1.39	1.70	2.01	2.32	2.63	2.94	3.25	3.56	3.87	4.18	4.49	4.80	5.11	5.42
	32	.92	1.29	1.67	2.04	2.41	2.78	3.16	3.53	3.90	4.27	4.65	5.02	5.39	5.76	6.14	6.51
	36	1.08	1.51	1.94	2.38	2.81	3.25	3.68	4.12	4.55	4.99	5.42	5.86	6.29	6.73	7.16	7.59
	40	1.20	1.69	2.17	2.66	3.14	3.63	4.11	4.60	5.08	5.57	6.05	6.54	7.02	7.51	7.99	8.48
	44	1.32	1.85	2.39	2.92	3.45	3.99	4.52	5.05	5.59	6.12	6.65	7.18	7.72	8.25	8.78	9.32
	48	1.44	2.02	2.60	3.18	3.76	4.35	4.93	5.51	6.09	6.67	7.25	7.83	8.42	9.00	9.58	10.16
	52	1.56	2.19	2.82	3.45	4.08	4.71	5.34	5.97	6.59	7.22	7.85	8.48	9.11	9.74	10.37	11.00
	56	1.69	2.37	3.06	3.74	4.42	5.11	5.79	6.47	7.15	7.84	8.52	9.20	9.89	10.57	11.25	11.93
	60	1.84	2.59	3.33	4.08	4.82	5.57	6.31	7.06	7.80	8.55	9.29	10.04	10.78	11.53	12.27	13.02
	64	2.00	2.80	3.61	4.42	5.23	6.03	6.84	7.65	8.45	9.26	10.07	10.88	11.68	12.49	13.30	14.10
	68	2.15	3.02	3.89	4.76	5.63	6.50	7.37	8.24	9.10	9.97	10.84	11.71	12.58	13.45	14.32	15.19
	72	2.30	3.24	4.17	5.10	6.03	6.96	7.89	8.82	9.76	10.69	11.62	12.55	13.48	14.41	15.34	16.27

FREE AREA (Sq. Ft.)

AIR PERFORMANCE



Free Area = {2 (AxC)} + {2 (BxC)}

Example: Model 7152
 36" (A) x 48" (B) x 24" (C) I.D. Dimensions
 Free Area = {2 (Free Area of 36" x 24")} + {2 (Free Area of 48" x 24")}
 Free Area = {2 (2.10)} + {2 (2.85)}
 Free Area = (4.20) + (5.70)
 Free Area = 9.90 Sq. Ft.

It is possible for moisture to penetrate louvers under adverse atmospheric conditions. Drained ductwork or other means of drainage is recommended.

Data shown includes the effect of .051 x 3/4" diamond pattern aluminum birdscreen. Graphs are corrected to standard air density .075 lb. per cubic ft.

RECOMMENDED MAXIMUM INTAKE FREE AREA VELOCITY 600 F.P.M.