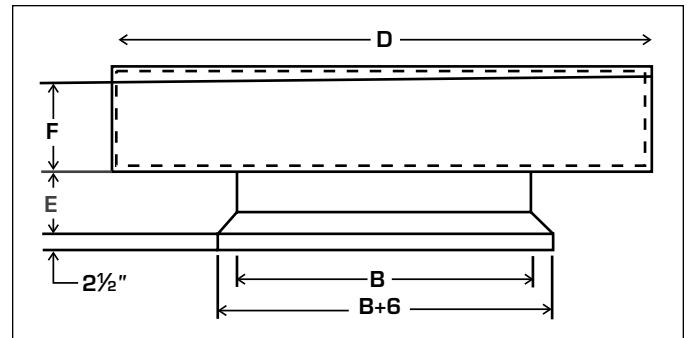
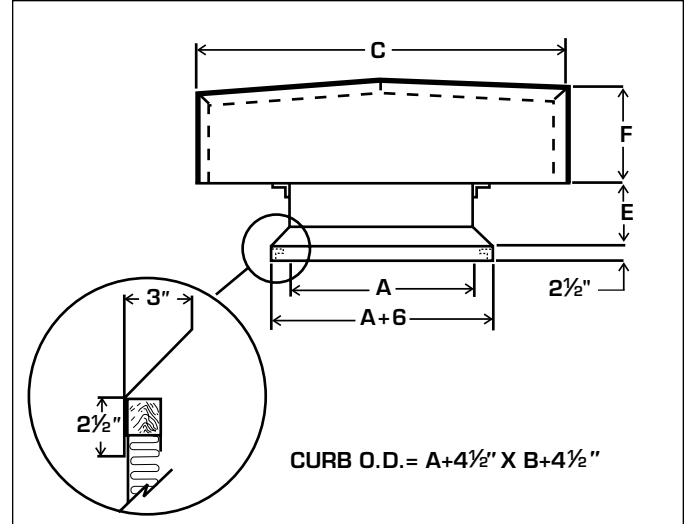




**CERTIFICATION & SUBMITTAL
MODEL 6100 RELIEF EXHAUST VENTILATOR
Curb Mounted**



STANDARD SPECIFICATIONS

- **HOOD:** 18 gauge galvanized steel.
- **BASE SECTION:** 18 gauge galvanized steel.
- **CONSTRUCTION:** Base section continuously welded. Hood is bolted to base.
- **BIRDSCREEN:** 19 gauge 1/2" x 1/2" galvanized steel.
- **FINISH:** Standard Mill.
- **MINIMUM SIZE:** 12" x 12"
- **MAXIMUM SIZE:** 60" x 120"

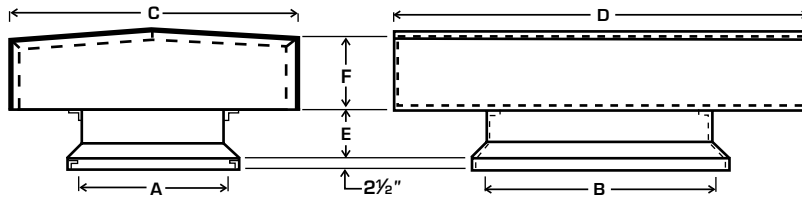
OPTIONS

- 42 18 x 16 Mesh aluminum insect screen.
- 46 3/4" Expanded aluminum birdscreen.
- 47 1/2" x 1/2" x 19 gauge. PVC coated birdscreen.
- 86 Aluminum construction.
- 88 Paint grip material construction.
- 96 Anti-condensate coating under hood.

NOTE: For Roof Curbs, refer to 8000 series catalog for complete details.



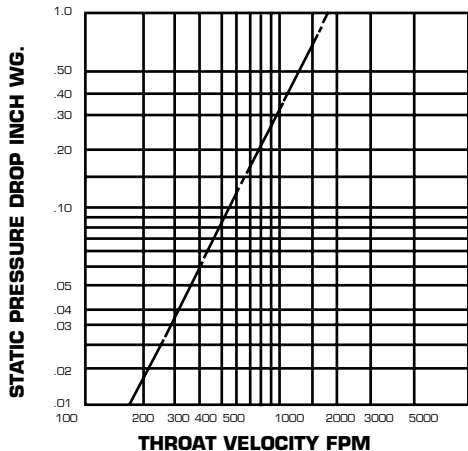
PERFORMANCE DATA MODEL 6100
Relief Exhaust Ventilator
Curb Mounted



MODEL 6100 DIMENSIONS

Thrust Area Sq. Ft.	Size — Ins.			Dimensions — Ins			Thrust Area Sq. Ft.	Size — Ins.			Dimensions — Ins		
	A	B	C	D	E	F		A	B	C	D	E	F
1.00	12	12	20	20	8	4	18.00	36	72	64	100	10	14
1.33	12	16	22	26	8	5	18.00	48	54	78	84	10	15
1.66	12	20	22	30	8	5	20.00	30	96	56	122	10	13
1.77	16	16	28	28	8	6	20.00	48	60	78	90	10	15
2.00	12	24	24	36	8	6	20.25	54	54	82	82	10	14
2.22	16	20	28	32	8	6	21.00	36	84	62	110	10	14
2.50	12	30	24	42	8	6	21.00	42	72	70	100	10	14
2.66	16	24	30	38	8	7	22.50	54	60	84	90	10	15
2.77	20	20	34	34	8	7	22.50	30	108	54	132	10	12
3.33	16	30	30	44	8	7	24.00	36	96	64	124	10	14
3.33	20	24	36	40	8	8	24.00	48	72	78	102	10	15
4.00	24	24	40	40	8	8	24.50	42	84	70	112	12	14
4.16	20	30	36	46	8	8	25.00	30	120	54	144	12	12
5.00	24	30	42	48	8	9	25.00	60	60	90	90	12	15
6.25	30	30	48	48	8	9	27.00	36	108	64	136	12	14
7.50	30	36	50	56	8	10	27.00	54	72	86	104	12	16
8.75	30	42	50	62	8	10	28.00	42	96	72	126	12	15
9.00	36	36	58	58	8	11	28.00	48	84	80	116	12	16
10.00	30	48	52	70	8	11	30.00	36	120	64	148	12	14
10.50	36	42	58	64	8	11	30.00	60	72	94	106	12	17
11.25	30	54	52	76	8	11	31.50	54	84	88	118	12	17
12.00	36	48	60	72	8	12	31.50	42	108	74	140	12	16
12.25	42	42	66	66	10	12	32.00	48	96	84	128	12	16
12.50	30	60	54	84	10	12	35.00	42	120	74	152	12	16
13.50	36	54	62	80	10	13	35.00	60	84	96	120	12	18
14.00	42	48	68	74	10	13	36.00	48	108	82	142	12	17
15.00	30	72	54	96	10	12	36.00	54	96	90	132	12	18
15.00	36	60	62	86	10	13	40.00	48	120	84	156	12	18
15.75	42	54	70	82	10	14	40.00	60	96	98	134	12	19
16.00	48	48	76	76	10	14	40.50	54	108	90	144	12	18
17.50	30	84	56	110	10	13	45.00	54	120	92	158	12	19
17.50	42	60	70	88	10	14	45.00	60	108	100	148	12	20
							50.00	60	120	100	160	12	20

PERFORMANCE INFORMATION



Performance information derived from testing size 36" x 36" units in accordance with AMCA Standard 210-74, with test set-ups as per figures 12 & 15. For units less than 9 sq. ft. throat area, increase static pressure 150%. Data is not certifiable.

Example: 2000 cfm. Model 6100
 Select size 24" x 24" 1000 F.P.M. throat velocity.
 Static Pressure – .30 ins. WG x 1.5 – 0.45 ins. WG