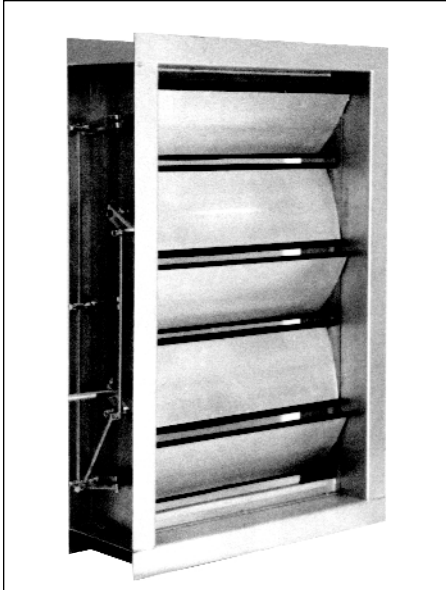
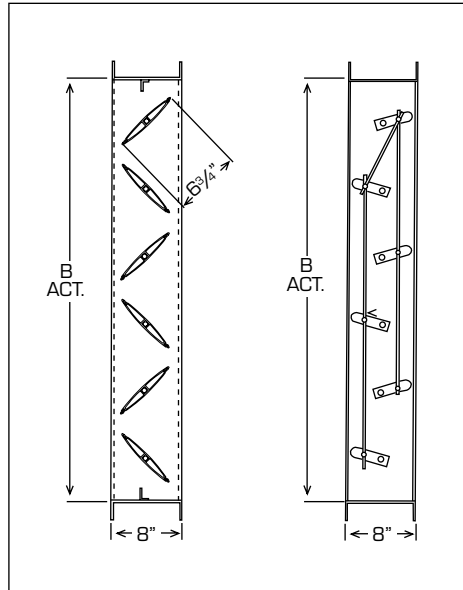




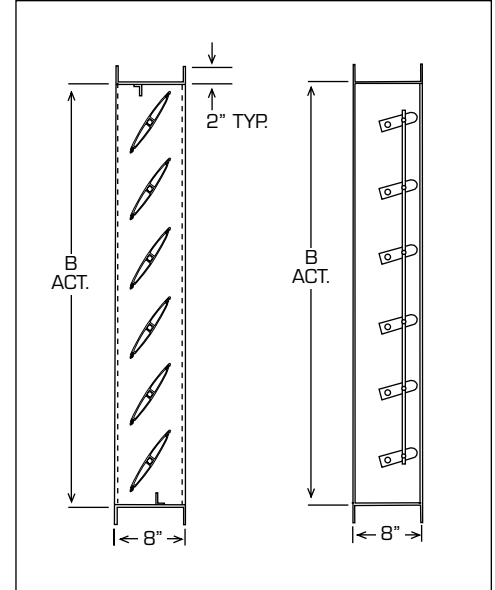
**CERTIFICATION & SUBMITTAL  
MODEL 5650  
MEDIUM DUTY EXTERNAL LINKAGE  
AIRFOIL BLADE DAMPER**



**MODEL 5653 Opposed Blade**



**MODEL 5653 Opposed Blade**



**MODEL 5652 Parallel Blade**

**STANDARD SPECIFICATIONS**

- **FRAME:** 8" x 2" x 12 gauge galvanized steel channel
- **BLADES:** .080 6063T5 Extruded Aluminum
- **AXLES:** 1/2" diameter full-length C1018 plated steel rod
- **BEARINGS:** 1/2" diameter self-lubricating porous bronze
- **LINKAGE:** Out-of-airstream 5/16" diameter plated steel linkage rods, plated AM113 arms, swivels
- **BLADE EDGE SEALS:** Santoprene® Thermoplastic Rubber
- **FINISH:** Standard Mill
- **MAX. TEMPERATURE:** 200°F
- **MAXIMUM VELOCITY:** 4000 FPM @ 7" W.G.
- **MAXIMUM SIZE:** 36" x 64" single panel  
72" x 64" multi-panel
- **MINIMUM SIZE:** 6" x 8" single blade  
6" x 12" multi-blade

**OPTIONS**

- 07 Silicone Blade Edge Seals
- 08 Spring Stainless Steel Side Seals
- 13 Stainless Steel Bearings (Bushings)
- 86 Aluminum Frame Construction
- 87 Stainless Steel Construction
- 94 Hand Quadrant Mounting Plate

**NOTE:**

1. A & B are actual dimensions, measured inside channel frame

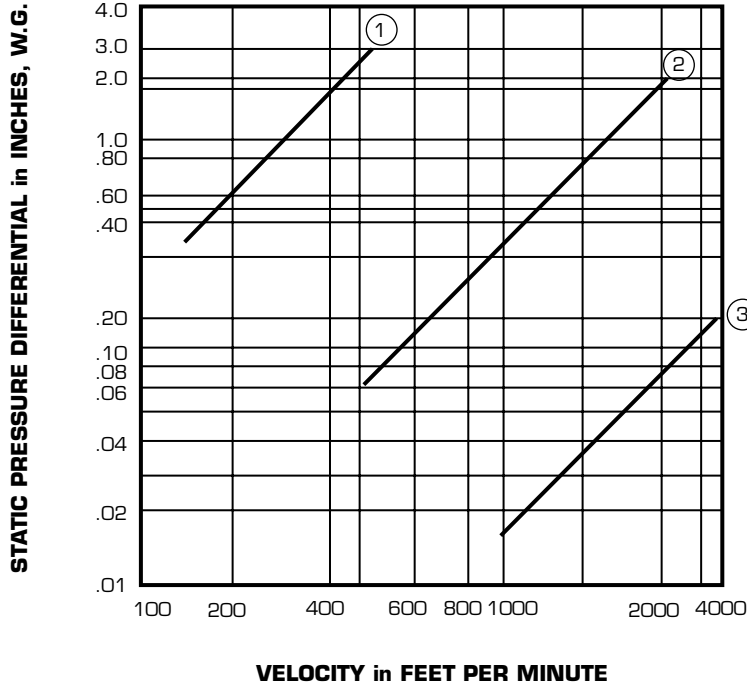
**MODEL 5651 Not Shown**



**PERFORMANCE DATA  
MODEL 5650  
Medium Duty Airfoil Dampers**

**AIRFLOW CHART**

- ① 30° open
- ② 60° open
- ③ Full open



- ① Airflow with damper 30° open  
(Test size: 32" x 32")
- ② Airflow with damper 60° open  
(Test size: 32" x 32")
- ③ Airflow with damper 90° (Full) open  
(Test size: 32" x 32")

This performance information is derived from testing in accordance with AMCA Standard 500; with test set up per figure 5.3 and measurement apparatus set up per figure 6.5 of this AMCA standard.

- ① Standard opposed blade model with blade edge seals only. Holding torque applied was 7 inch-pounds per square foot of damper area. (Test size: 32" x 32")
- ② Standard opposed blade model with jamb seals and blade edge seals. Holding torque applied was 7 inch-pounds per square foot of damper area. (Test size: 32" x 32")

This performance information is derived from testing in accordance with AMCA Standard 500; with test set up per figure 5.5 and measurement apparatus set up per figure 6.5 of this AMCA standard.

**LEAKAGE CHART**

