



VENT PRODUCTS CO., INC.

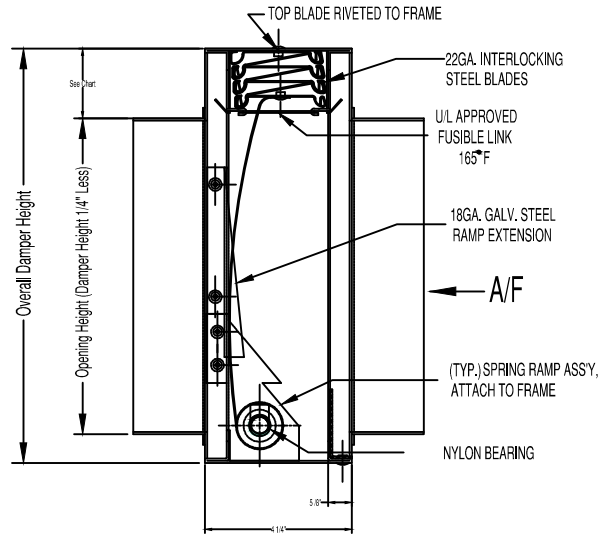
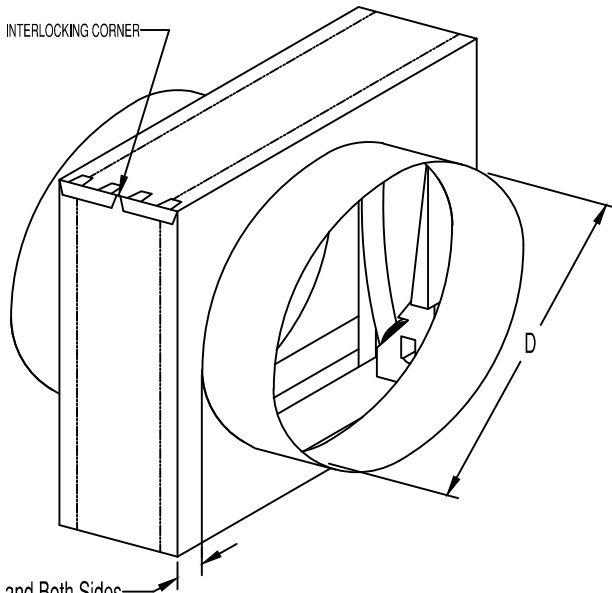
1901 South Kilbourn Avenue Chicago, Illinois 60623

Telephone: 773/521-1900

Fax: 773/521-5613

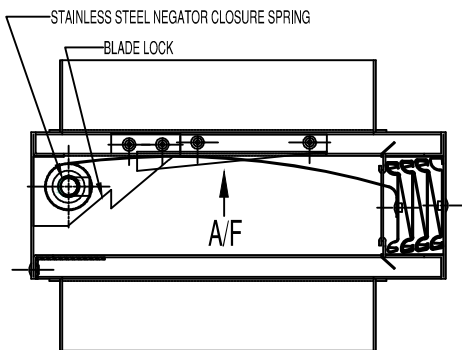
Outside Illinois: 800/368-8368

**CERTIFICATION & SUBMITAL
MODEL 5500-D FIRE-TITE™ UL FIRE DAMPERS
"CR" Frames Round or Oval
FOR USE IN DYNAMIC SYSTEMS**



VERTICAL MOUNT

1" On Bottom and Both Sides



HORIZONTAL MOUNT

DUCT OPENING HEIGHT INCHES	TYPE OVERALL HEIGHT
4	6
5	7
6	8
7	10
8	11
9	12
10	13
11	14
12	15
13	16
14	17
15	18
16	20
17	21
18	22
19	23
20	24
21	25
22	26
23	27
24	28
25	29
26	31
27	32
28	33
29	34
30	35
31	36

Type text in this area.

California Fire Marshal
Listing No. 3225-1078:100

ALL DAMPERS 1/4" UNDER LISTED DIMENSIONS

MINIMUM SIZE: 4" DIAMETER

MAXIMUM DUCT OPENING
SINGLE SECTION:

VERTICAL: 31" Diameter

HORIZONTAL: 31" Diameter

MAXIMUM MULTIPLE SECTION: Not Available

MATERIALS: Standard construction - galvanized steel.
Specifications for all material per Underwriters Laboratories
Standard for Safety UL 555.

UNDERWRITERS LABORATORIES: Labeled for use in sizes no
larger than shown in UL Building Materials List in a 2-hour fire
partition.

Meets N.F.P.A. 90A Requirements.

Refer to Form 5525 for installation instructions.