



VENT PRODUCTS CO., INC.

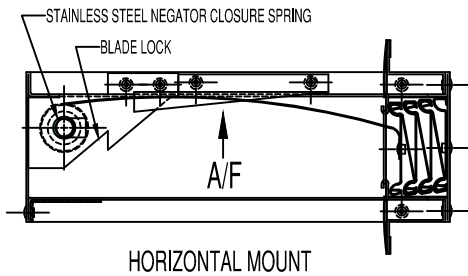
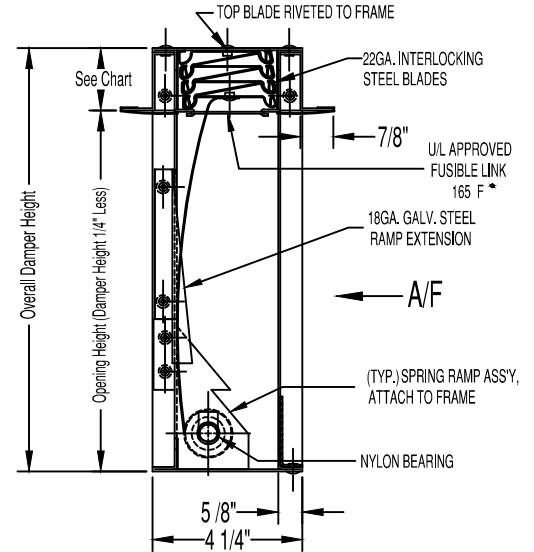
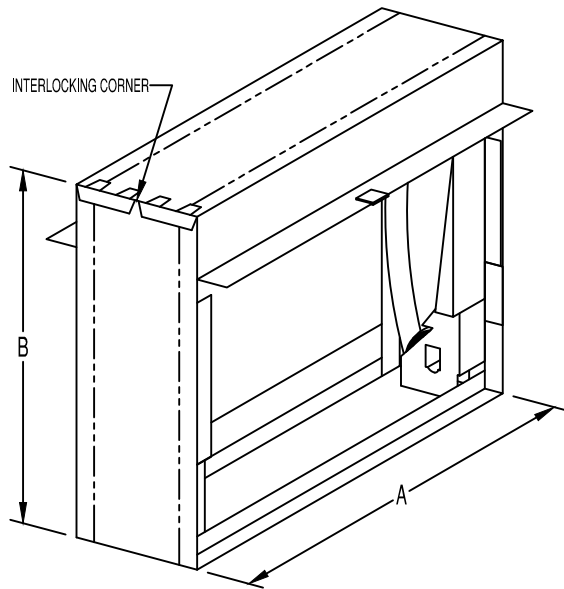
1901 South Kilbourn Avenue Chicago, Illinois 60623

Telephone: 773/521-1900

Fax: 773/521-5613

Outside Illinois: 800/368-8368

**CERTIFICATION & SUBMITAL
MODEL 5500-D FIRE-TITE™ UL FIRE DAMPERS
"B" Frames
FOR USE IN DYNAMIC SYSTEMS**



HORIZONTAL MOUNT

DUCT OPENING HEIGHT INCHES	TYPE OVERALL HEIGHT
4	5
5	6
6	7
7	8
8	10
9	11
10	12
11	13
12	14
13	15
14	16
15	17
16	18
17	20
18	21
19	22
20	23
21	24
22	25
23	26
24	27
25	28
26	29
27	31
28	32
29	33
30	34
31	35
32	36

Type text in this area.

California Fire Marshal
Listing No. 3225-1078:100

ALL DAMPERS 1/4" UNDER LISTED DIMENSIONS

MINIMUM SIZE: 4" X 8"

MAXIMUM DUCT OPENING
SINGLE SECTION: 36" X 32"

MATERIALS: Standard construction - galvanized steel. Specifications for all material per Underwriters Laboratories Standard for Safety UL 555.

UNDERWRITERS LABORATORIES: Labeled for use in sizes no larger than shown in UL Building Materials List in a 2-hour fire partition.

Meets N.F.P.A. 90A Requirements.

Refer to Form 5525 for installation instructions.