



VENT PRODUCTS CO., INC.

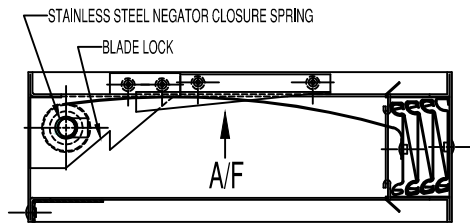
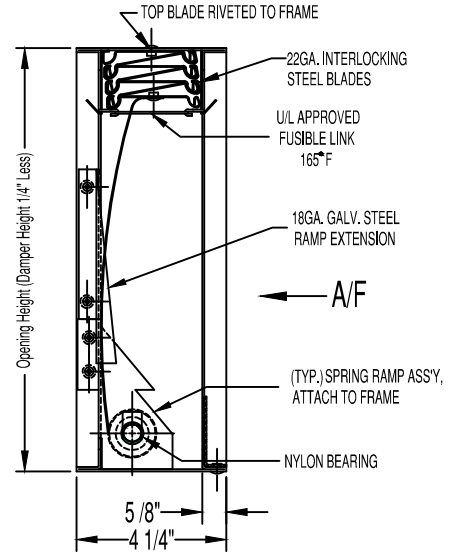
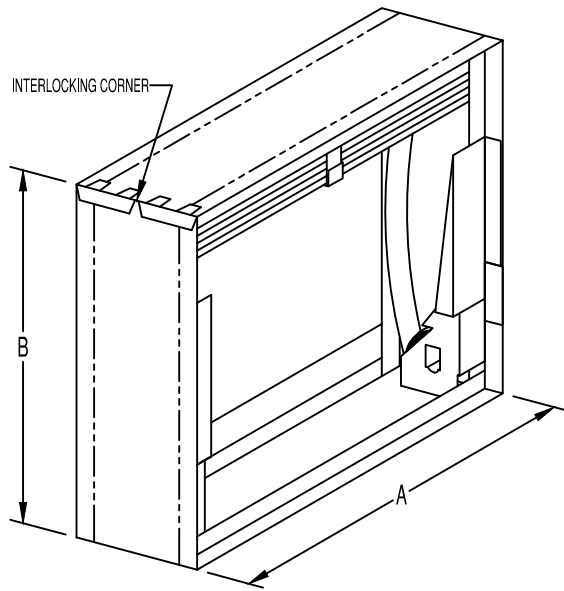
1901 South Kilbourn Avenue Chicago, Illinois 60623

Telephone: 773/521-1900

Fax: 773/521-5613

Outside Illinois: 800/368-8368

**CERTIFICATION & SUBMITAL
MODEL 5500-D FIRE-TITE™ UL FIRE DAMPERS
"A" Frames
FOR USE IN DYNAMIC SYSTEMS**



HORIZONTAL MOUNT

Type text in this area.

California Fire Marshal
Listing No. 3225-1078:100

ALL DAMPERS 1/4" UNDER LISTED DIMENSIONS

MINIMUM SIZE: 4" X 8"

MAXIMUM DUCT OPENING
SINGLE SECTION: 36" X 36"

MATERIALS: Standard construction - galvanized steel.
Specifications for all material per Underwriters Laboratories
Standard for Safety UL 555.

UNDERWRITERS LABORATORIES: Labeled for use in sizes no
larger than shown in UL Building Materials List in a 2-hour fire
partition.

Meets N.F.P.A. 90A Requirements.

Refer to Form 5525 for installation instructions.