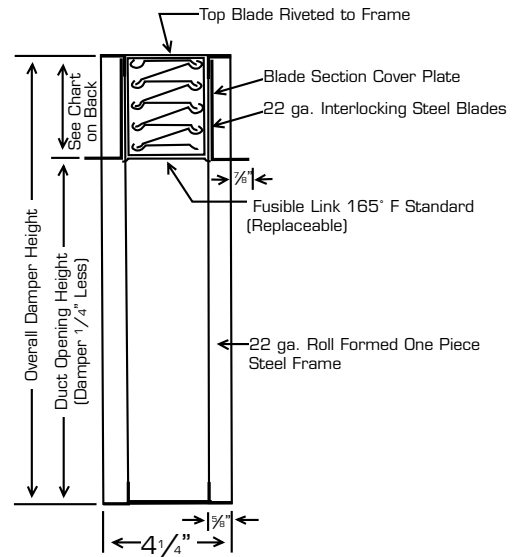
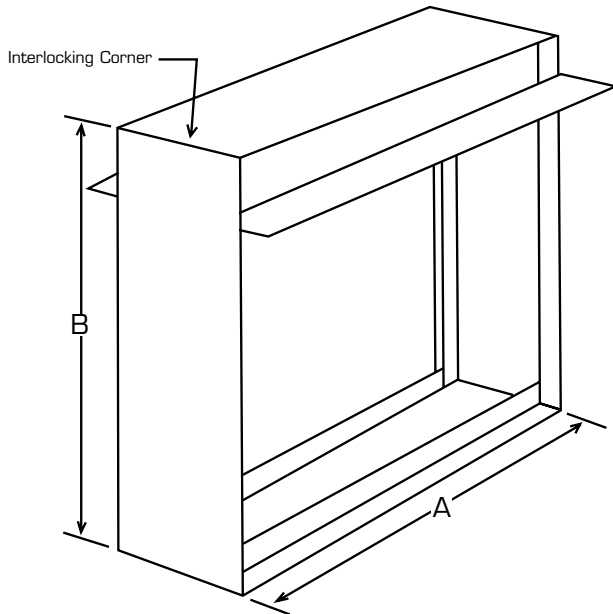


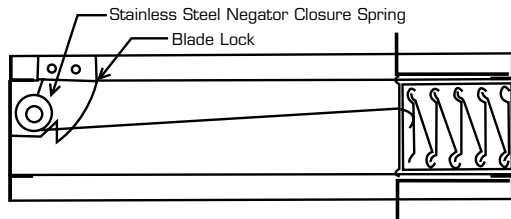


VENT PRODUCTS CO., INC.
 1901 South Kilbourn Avenue Chicago, Illinois 60623
 Telephone: 773/521-1900
 Outside Illinois: 800/368-8368
 FAX: 773/521-5613

CERTIFICATION & SUBMITTAL
MODEL 5500 FIRE-TITE™ UL FIRE DAMPERS
“B” Frames
FOR USE IN STATIC SYSTEMS ONLY



VERTICAL MOUNT
MODEL 5520



HORIZONTAL MOUNT
MODEL 5521

UNDERWRITERS LABORATORIES, INC.™
 CLASSIFIED
 FIRE DAMPER No.
 FIRE RESISTANCE RATING 1-1/2 HOUR

VENT
PRODUCTS
CO., INC.

California Fire Marshal
Listing No. 3225-1078:100

ALL DAMPERS 1/4" UNDER LISTED DIMENSIONS

MINIMUM SIZE: 4" x 4"

MAXIMUM DUCT OPENING

SINGLE SECTION:

VERTICAL: 60" x 53"

HORIZONTAL: 60" x 53"

MAXIMUM MULTIPLE SECTION

VERTICAL: 120" x 106"

HORIZONTAL: 102" x 53"

MATERIALS: Standard construction - galvanized steel. Specifications for all material per Underwriters Laboratories Standard for Safety UL 555.

UNDERWRITERS LABORATORIES: Labeled for use in sizes no larger than shown in UL Building Materials List in a 2-hour fire partition.

Meets N.F.P.A. 90A Requirements

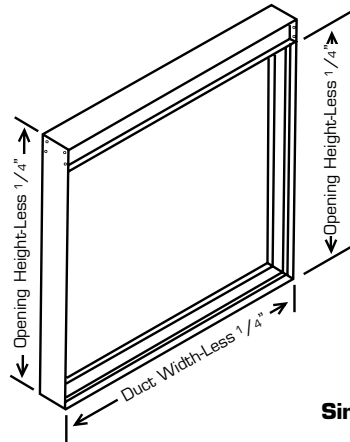
Refer to Form 5505 for installation instructions

Optional 304 Stainless Steel Construction available

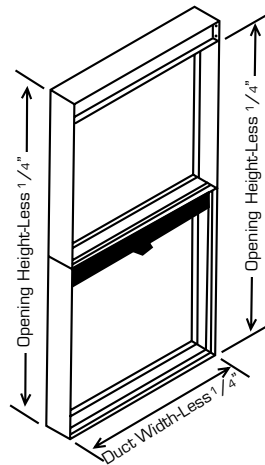
Optional 212°F Fusible Link available

SIZING DATA
MODEL 5500 FIRE-TITE™ UL FIRE DAMPERS
“B” Frames

DUCT OPENING HEIGHT INCHES	TYPE OVERALL HEIGHT
4	5
5	6
6	7
7	8
8	10
9	11
10	12
11	13
12	14
13	15
14	16
15	17
16	18
17	20
18	21
19	22
20	23
21	24
22	25
23	26
24	27
25	28
26	29
27	31
28	32
29	33
30	34
31	35
32	36
33	37
34	38
35	39
36	41
37	42
38	43
39	44
40	45
41	46
42	47
43	48
44	49
45	51
46	52
47	53
48	54
49	55
50	56
51	57
52	58
53	59



Single Section



Multi-Section

