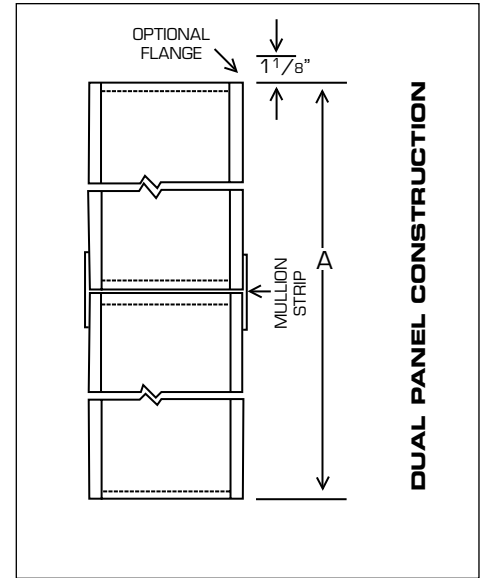
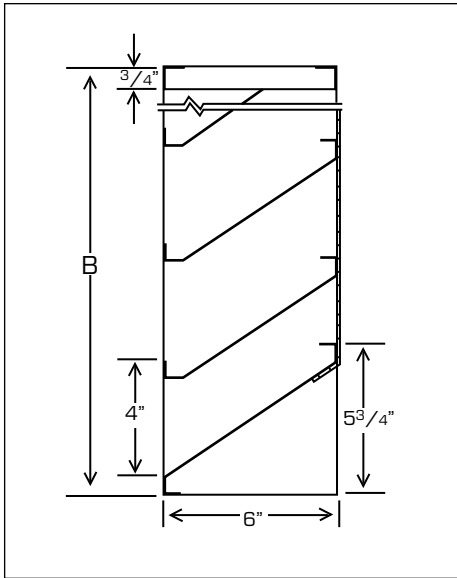




**CERTIFICATION & SUBMITTAL  
MODEL 4650 FABRICATED METAL LOUVER  
6" Deep Drainable Blade**



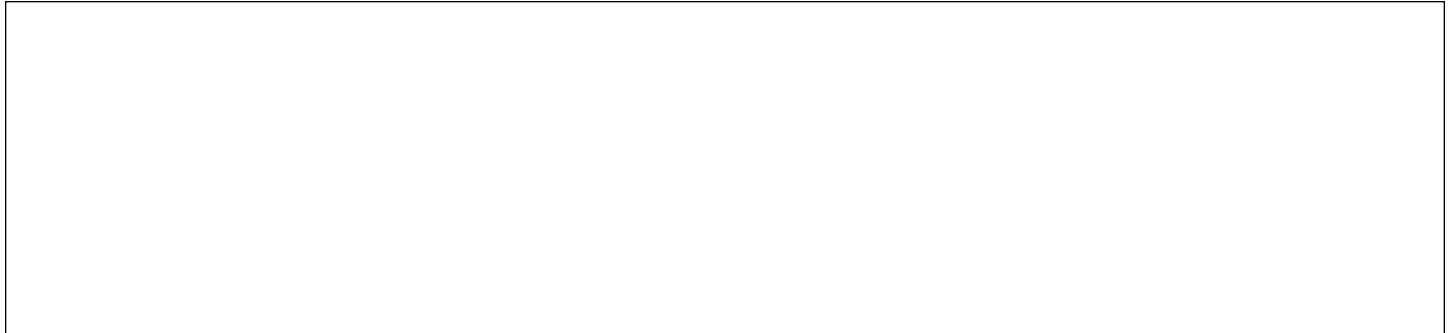
**STANDARD SPECIFICATIONS**

- **FRAME:** 18 gauge galvanized steel.
- **BLADES:** 18 gauge galvanized steel, permanently riveted to frame.
- **BIRDSCREEN:** 19 gauge 1/2" x 1/2" galvanized steel.
- **FINISH:** Standard Mill.
- **MAXIMUM SINGLE SECTION:** 72" x 96"
- **MINIMUM SIZE:** 8"x 12"

**NOTE:** A & B are opening dimensions. Unless otherwise specified, louvers are made 1/4" undersize.

**OPTIONS**

- 31 Flange.
- 34 Buck Frame (requires flanged louver).
- 35 Sill Extension.
- 36 All welded construction.
- 40 Standard Screen in removable frame.
- 42 18 x 16 Mesh aluminum insect screen.
- 63 Burglar Bars.
- 81 16 Gauge construction.
- 86 Aluminum construction.
- 95 Finishing.





# PERFORMANCE DATA MODEL 4650 FABRICATED METAL LOUVER 6" Deep Drainable Blade

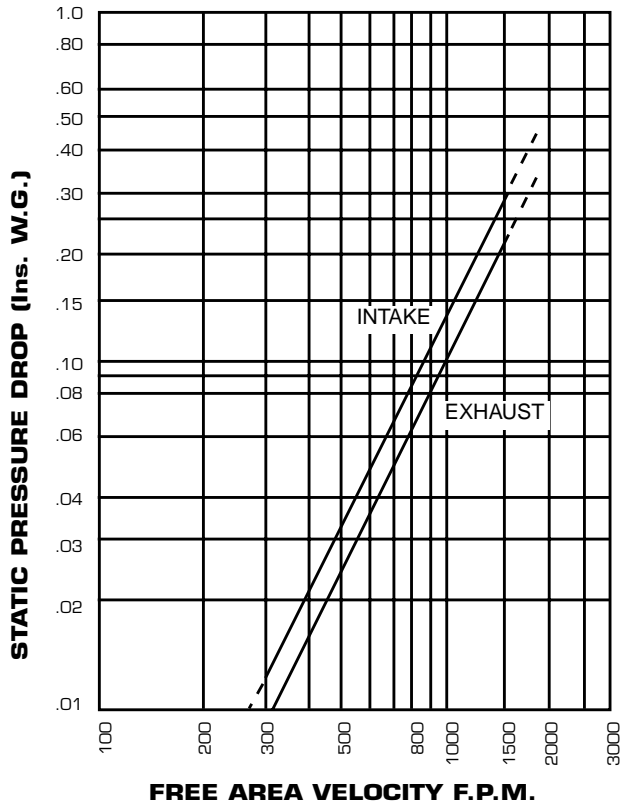
Vent Products certifies that the Model 4650 Louver shown herein is licensed to bear the AMCA Seal. The ratings shown are based on tests and procedures performed in accordance with AMCA Publication 511 and comply with the requirements of the AMCA Certified Ratings Program. The AMCA Certified Ratings Seal applies to air performance ratings and water penetration ratings.

### A - WIDTH (In Inches)

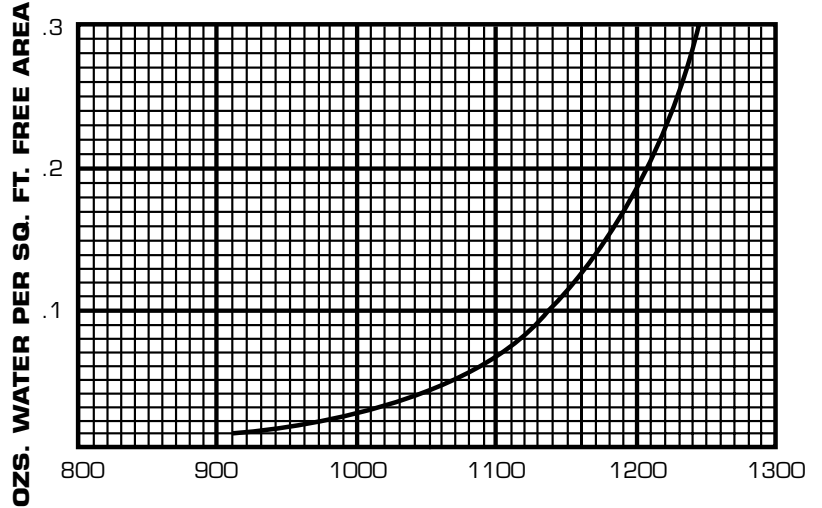
B - HEIGHT (In Inches)	A - WIDTH (In Inches)																
	8	12	16	20	24	28	32	36	40	44	48	52	56	60	64	68	72
12	.16	.29	.42	.54	.66	.79	.91	1.03	1.16	1.28	1.40	1.53	1.65	1.77	1.90	2.02	2.14
16	.25	.46	.65	.84	1.04	1.23	1.42	1.62	1.81	2.00	2.19	2.39	2.58	2.77	2.97	3.16	3.35
20	.35	.62	.89	1.15	1.41	1.67	1.93	2.20	2.46	2.72	2.98	3.25	3.51	3.77	4.03	4.30	4.56
24	.44	.79	1.12	1.45	1.78	2.11	2.45	2.78	3.11	3.44	3.77	4.11	4.44	4.77	5.10	5.43	5.76
28	.54	.95	1.35	1.76	2.16	2.56	2.96	3.36	3.76	4.16	4.56	4.96	5.37	5.77	6.17	6.57	6.97
32	.64	1.12	1.59	2.06	2.53	3.00	3.47	3.94	4.41	4.88	5.35	5.82	6.29	6.77	7.24	7.71	8.18
36	.73	1.28	1.82	2.36	2.90	3.44	3.98	4.52	5.06	5.60	6.14	6.68	7.22	7.76	8.30	8.84	9.38
40	.83	1.45	2.06	2.67	3.28	3.89	4.50	5.10	5.71	6.32	6.93	7.54	8.15	8.76	9.37	9.98	10.59
44	.92	1.61	2.29	2.97	3.65	4.33	5.01	5.69	6.37	7.04	7.72	8.40	9.08	9.76	10.44	11.12	11.80
48	1.02	1.78	2.53	3.27	4.02	4.77	5.52	6.27	7.02	7.76	8.51	9.26	10.01	10.76	11.51	12.26	13.00
52	1.11	1.94	2.76	3.58	4.40	5.21	6.03	6.85	7.67	8.49	9.30	10.12	10.94	11.76	12.57	13.39	14.21
56	1.21	2.11	2.99	3.88	4.77	5.66	6.54	7.43	8.32	9.21	10.09	10.98	11.87	12.75	13.64	14.53	15.42
60	1.30	2.27	3.23	4.19	5.14	6.10	7.06	8.01	8.97	9.93	10.88	11.84	12.80	13.75	14.71	15.67	16.62
64	1.40	2.44	3.46	4.49	5.52	6.54	7.57	8.59	9.62	10.65	11.67	12.70	13.73	14.75	15.78	16.80	17.83
68	1.49	2.60	3.70	4.79	5.89	6.98	8.08	9.18	10.27	11.37	12.46	13.56	14.65	15.75	16.85	17.94	19.04
72	1.59	2.77	3.93	5.10	6.26	7.43	8.59	9.76	10.92	12.09	13.25	14.42	15.58	16.75	17.91	19.08	20.24
76	1.69	2.93	4.17	5.40	6.64	7.87	9.10	10.34	11.57	12.81	14.04	15.28	16.51	17.75	18.98	20.22	21.45
80	1.78	3.10	4.40	5.70	7.01	8.31	9.62	10.92	12.22	13.53	14.83	16.14	17.44	18.74	20.05	21.35	22.66
84	1.88	3.26	4.64	6.01	7.38	8.76	10.13	11.50	12.88	14.25	15.62	17.00	18.37	19.74	21.12	22.49	23.86
88	1.97	3.43	4.87	6.31	7.76	9.20	10.64	12.08	13.53	14.97	16.41	17.86	19.30	20.74	22.18	23.63	25.07
92	2.07	3.59	5.10	6.62	8.18	9.64	11.15	12.67	14.18	15.69	17.20	18.71	20.23	21.74	23.25	24.76	26.28
96	2.16	3.76	5.34	6.92	8.50	10.80	11.67	13.25	14.83	16.41	17.99	19.57	21.16	22.74	24.32	25.90	27.48

### FREE AREA (Sq. Ft.)

#### AIR PERFORMANCE TEST



#### WATER PENETRATION CHART



**THE BEGINNING OF WATER PENETRATION IS 909 F.P.M.**

It is possible for moisture to penetrate louvers under adverse atmospheric conditions. For critical applications, drained ductwork or other means of drainage is recommended.

**RATINGS DO NOT INCLUDE THE EFFECT OF A BIRDSCREEN**

#### TEST UNIT SIZE 48" X 48" (15 Min. Duration)

Data shown does not include the effect of a 1/2" x 1/2" x 19 ga. galvanized birdscreen. Graphs are corrected to standard air density .075 lb. per cubic foot.

**RECOMMENDED MAXIMUM INTAKE FREE AREA VELOCITY 1000 F.P.M.**