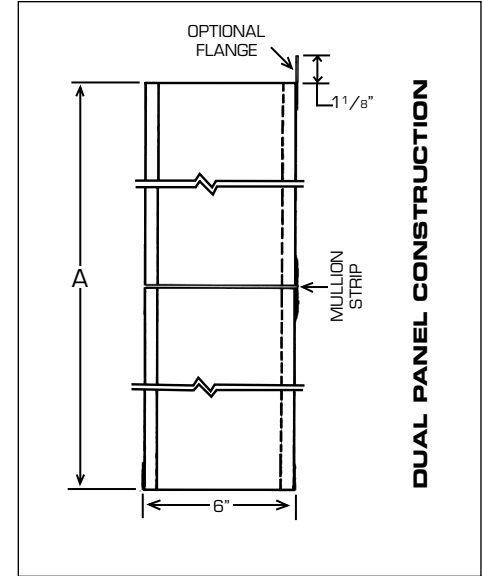
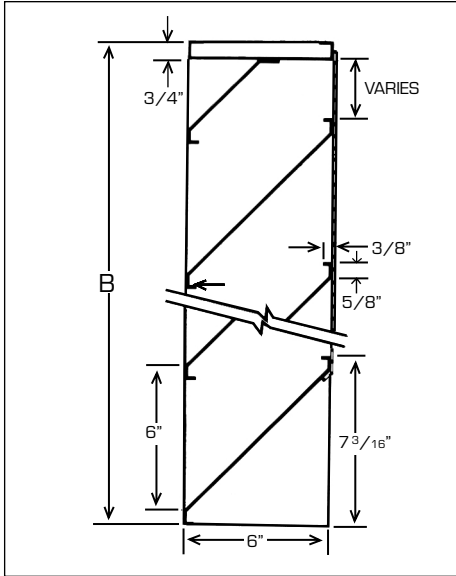




**CERTIFICATION & SUBMITTAL
MODEL 4600 FABRICATED METAL LOUVER
6" Deep Stationary Blade @ 45°**



STANDARD SPECIFICATIONS

- **FRAME:** 18 gauge galvanized steel.
- **BLADES:** 18 gauge galvanized steel, permanently riveted to frame.
- **BIRDSCREEN:** 19 gauge 1/2" x 1/2" galvanized steel.
- **FINISH:** Standard Mill.
- **MAXIMUM SINGLE SECTION:** 72" x 96"
- **MINIMUM SIZE:** 6" x 12"

NOTE: A & B are opening dimensions. Unless otherwise specified, louvers are made 1/4" undersize.

OPTIONS

- 31 Flange.
- 34 Buck Frame (requires flanged louver).
- 35 Sill Extension.
- 36 All welded construction.
- 40 Standard Screen in removable frame.
- 42 18 x 16 Mesh aluminum insect screen.
- 63 Burglar Bars.
- 81 16 Gauge construction.
- 86 Aluminum construction.
- 95 Finishing.

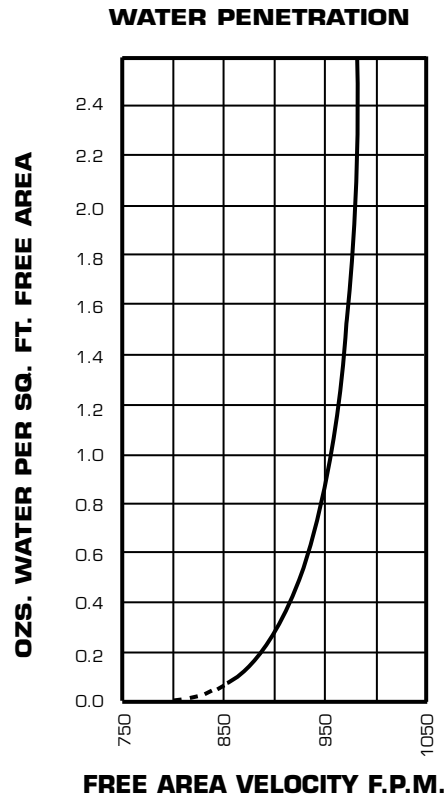
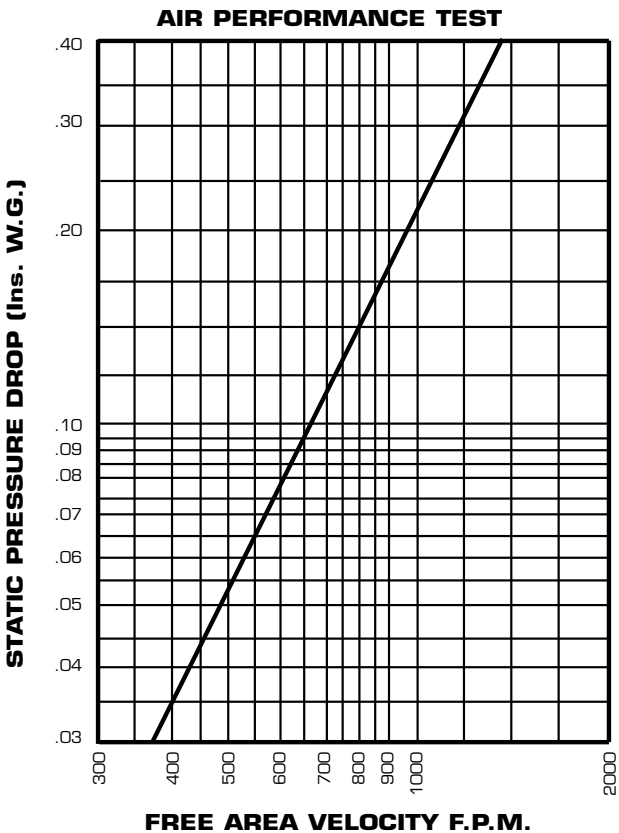


**PERFORMANCE DATA MODEL 4600
FABRICATED METAL LOUVER
6" Deep Stationary Blade @ 45°**

FREE AREA CHART

		A - WIDTH (In Inches)															
		12	16	20	24	28	32	36	40	44	48	52	56	60	64	68	72
B - HEIGHT (In Inches)	12	.25	.35	.44	.54	.64	.74	.83	.93	1.03	1.12	1.22	1.32	1.42	1.51	1.61	1.71
	16	.38	.53	.67	.82	.97	1.12	1.26	1.41	1.56	1.71	1.85	2.00	2.15	2.30	2.44	2.59
	20	.50	.69	.89	1.08	1.28	1.47	1.66	1.86	2.05	2.25	2.44	2.64	2.83	3.03	3.22	3.41
	24	.75	1.04	1.33	1.62	1.91	2.21	2.50	2.79	3.08	3.37	3.66	3.96	4.25	4.54	4.83	5.12
	29	.88	1.22	1.56	1.90	2.24	2.59	2.93	3.27	3.61	3.95	4.30	4.64	4.98	5.32	5.66	6.01
	32	1.00	1.39	1.77	2.16	2.55	2.94	3.33	3.72	4.11	4.50	4.89	5.27	5.66	6.05	6.44	6.83
	36	1.25	1.73	2.22	2.70	3.19	3.68	4.16	4.65	5.13	5.62	6.11	6.59	7.08	7.57	8.05	8.54
	40	1.37	1.01	2.45	2.98	3.52	4.06	4.59	5.13	5.67	6.20	6.74	7.28	7.81	8.35	8.89	9.42
	44	1.49	2.08	2.66	3.24	3.83	4.41	4.99	5.58	6.16	6.74	7.33	7.91	8.49	9.08	9.66	10.24
	48	1.74	2.42	3.11	3.79	4.47	5.15	5.83	6.51	7.19	7.87	8.55	9.23	9.91	10.59	11.27	11.95
	52	1.87	2.60	3.33	4.07	4.80	5.53	6.26	6.99	7.72	8.45	9.18	9.91	10.64	11.37	12.11	12.84
	56	1.99	2.77	3.55	4.33	5.10	5.88	6.66	7.44	8.22	8.99	9.77	10.55	11.33	12.10	12.88	13.66
	60	2.24	3.12	3.99	4.87	5.74	6.62	7.49	8.37	9.24	10.12	10.99	11.87	12.74	13.62	14.49	15.37
	64	2.37	3.30	4.22	5.15	6.07	7.00	7.92	8.85	9.77	10.70	11.62	12.55	13.48	14.40	15.33	16.25
	68	2.49	3.46	4.44	5.41	6.38	7.35	8.32	9.30	10.27	11.24	12.21	13.19	14.16	15.13	16.10	17.07
	72	2.74	3.81	4.88	5.95	7.02	8.09	9.16	10.23	11.30	12.37	13.43	14.50	15.57	16.64	17.71	18.78
	76	2.87	3.99	5.11	6.23	7.35	8.47	9.59	10.71	11.83	12.95	14.07	15.19	16.31	17.43	18.55	19.67
	80	2.99	4.16	5.32	6.49	7.66	8.82	9.99	11.16	12.32	13.49	14.66	15.82	16.99	18.16	19.32	20.49
84	3.24	4.50	5.77	7.03	8.29	9.56	10.82	12.09	13.35	14.61	15.88	17.14	18.41	19.67	20.93	22.20	
88	3.37	4.68	6.00	7.31	8.62	9.94	11.25	12.57	13.88	15.20	16.51	17.82	19.14	20.45	21.77	23.08	
92	3.49	4.85	6.21	7.57	8.93	10.29	11.65	13.02	14.38	15.74	17.10	18.46	19.82	21.18	22.54	23.90	
96	3.74	5.20	6.65	8.11	9.57	11.03	12.49	13.95	15.40	16.86	18.32	19.78	21.24	22.70	24.15	25.61	

FREE AREA (Sq. Ft.)



It is possible for moisture to penetrate louvers under adverse atmospheric conditions. For critical applications, drained ductwork or other means of drainage is recommended.

Data shown does not include the effect of a 1/2" x 1/2" x 19 ga. galvanized birdscreen. Graphs are corrected to standard air density .075 lb. per cubic foot.

RECOMMENDED MAXIMUM INTAKE FREE AREA VELOCITY 800 F.P.M.