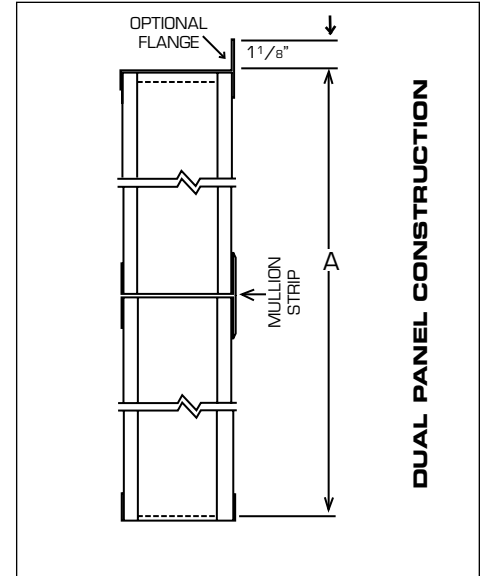
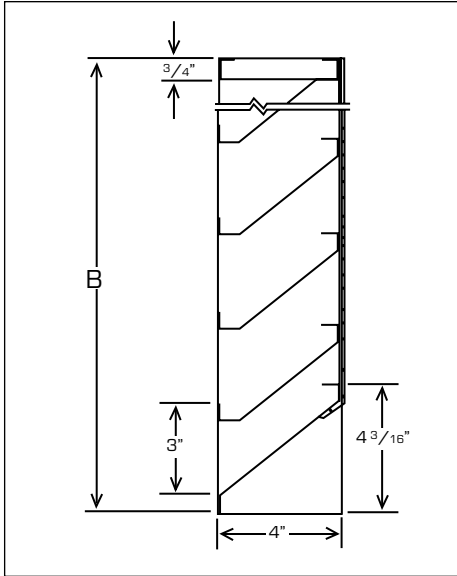




**CERTIFICATION & SUBMITTAL
MODEL 4450 FABRICATED METAL LOUVER
4" Deep Drainable Blade**



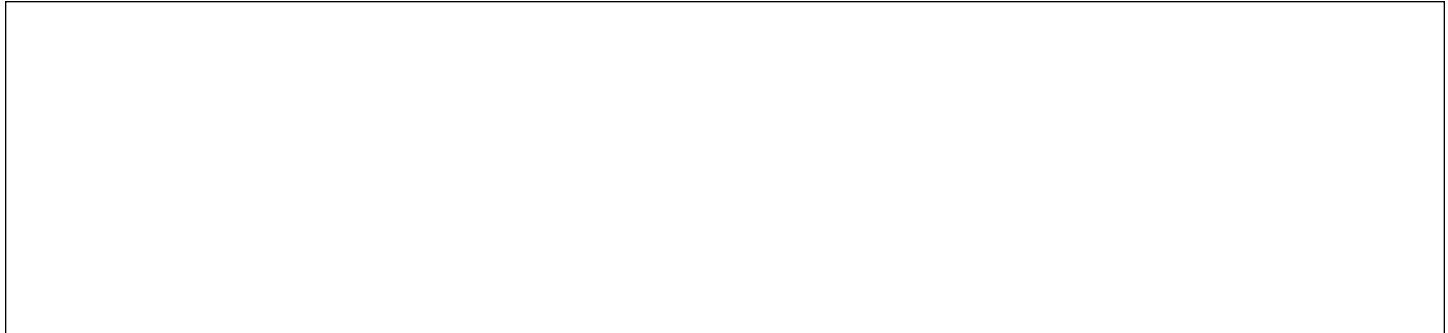
STANDARD SPECIFICATIONS

- **FRAME:** 18 gauge galvanized steel.
- **BLADES:** 18 gauge galvanized steel, permanently riveted to frame.
- **BIRDSCREEN:** 19 gauge 1/2" x 1/2" galvanized steel.
- **FINISH:** Standard Mill.
- **MAXIMUM SINGLE SECTION:** 72" x 96"
- **MINIMUM SIZE:** 6" x 10"

NOTE: A & B are opening dimensions. Unless otherwise specified, louvers are made 1/4" undersize.

OPTIONS

- 31 Flange.
- 34 Buck Frame (requires flanged louver).
- 35 Sill Extension.
- 36 All welded construction.
- 40 Standard Screen in removable frame.
- 42 18 x 16 Mesh aluminum insect screen.
- 63 Burglar Bars.
- 81 16 Gauge construction.
- 86 Aluminum construction.
- 87 Stainless Steel construction.
- 95 Finishing.

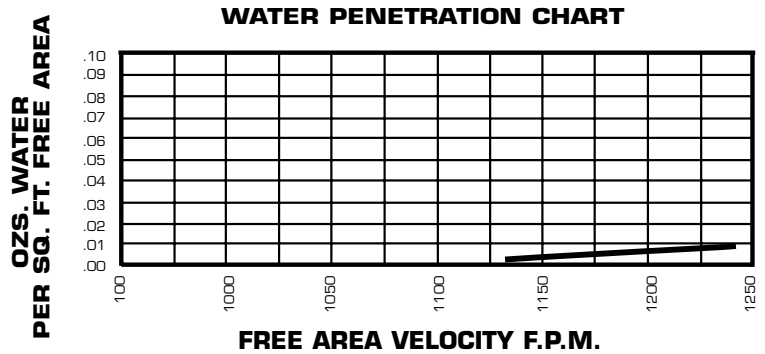
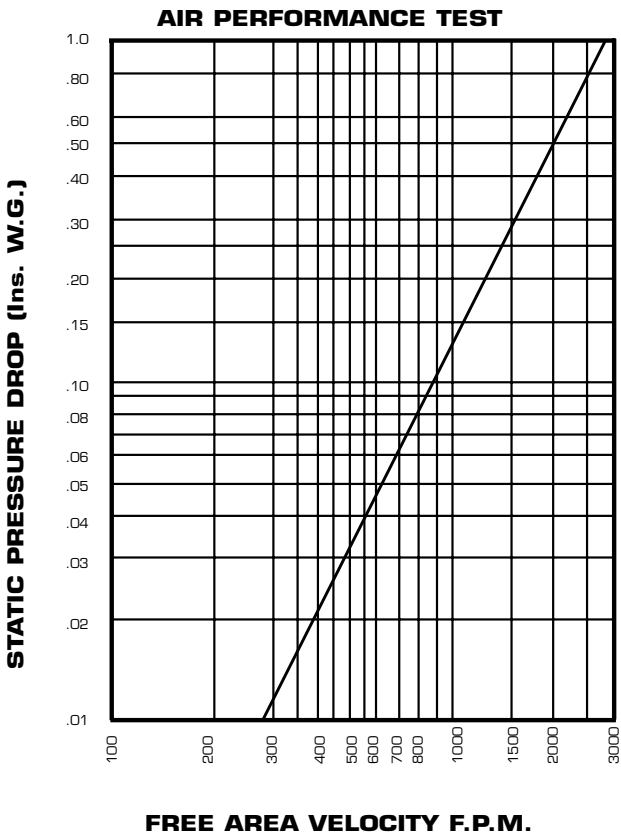


**PERFORMANCE DATA MODEL 4450
FABRICATED METAL LOUVER
4" Deep Drainable Blade**

FREE AREA CHART

		A - WIDTH (In Inches)															
		12	16	20	24	28	32	36	40	44	48	52	56	60	64	68	72
B - HEIGHT (In Inches)	12	.26	.37	.48	.59	.70	.81	.92	1.03	1.13	1.24	1.35	1.46	1.57	1.68	1.79	1.90
	16	.42	.60	.78	.96	1.14	1.32	1.50	1.68	1.86	2.03	2.21	2.39	2.57	2.75	2.93	3.11
	20	.49	.70	.90	1.11	1.32	1.52	1.73	1.94	2.14	2.35	2.56	2.76	2.97	3.18	3.38	3.59
	24	.66	.93	1.21	1.48	1.76	2.04	2.31	2.59	2.86	3.14	3.42	3.69	3.97	4.24	4.52	4.80
	28	.82	1.17	1.51	1.86	2.20	2.55	2.89	3.24	3.58	3.93	4.28	4.62	4.97	5.31	5.66	6.00
	32	.89	1.26	1.63	2.01	2.38	2.75	3.13	3.50	3.87	4.25	4.62	4.99	5.37	5.74	6.11	6.49
	36	1.05	1.49	1.94	2.38	2.82	3.26	3.71	4.15	4.59	5.04	5.48	5.92	6.36	6.81	7.25	7.69
	40	1.22	1.73	2.24	2.75	3.26	3.78	4.29	4.80	5.31	5.83	6.34	6.85	7.36	7.87	8.39	8.90
	44	1.28	1.82	2.36	2.90	3.44	3.98	4.52	5.06	5.60	6.14	6.68	7.22	7.76	8.30	8.84	9.38
	48	1.45	2.06	2.67	3.28	3.88	4.49	5.10	5.71	6.32	6.93	7.54	8.15	8.76	9.37	9.98	10.59
	52	1.61	2.29	2.97	3.65	4.33	5.01	5.69	6.36	7.04	7.72	8.40	9.08	9.76	10.44	11.12	11.79
	56	1.68	2.38	3.09	3.80	4.50	5.21	5.92	6.62	7.33	8.04	8.74	9.45	10.16	10.86	11.57	12.28
	60	1.84	2.62	3.40	4.17	4.95	5.72	6.50	7.28	8.05	8.83	9.60	10.38	11.16	11.93	12.71	13.48
	64	2.01	2.85	3.70	4.54	5.39	6.24	7.08	7.93	8.77	9.62	10.46	11.31	12.15	13.00	13.84	14.69
	68	2.07	2.95	3.82	4.69	5.57	6.44	7.31	8.19	9.06	9.93	10.81	11.68	12.55	13.43	14.30	15.17
	72	2.24	3.18	4.12	5.07	6.04	6.95	7.90	8.84	9.78	10.72	11.67	12.61	13.55	14.49	15.44	16.38
	76	2.40	3.42	4.43	5.44	6.45	7.46	8.48	9.49	10.50	11.51	12.53	13.54	14.55	15.56	16.57	17.59
80	2.47	3.51	4.55	5.59	6.63	7.67	8.71	9.75	10.79	11.83	12.87	13.91	14.95	15.99	17.03	18.07	
84	2.63	3.74	4.85	5.96	7.07	8.18	9.29	10.40	11.51	12.62	13.73	14.84	15.95	17.06	18.17	19.28	
88	2.80	3.98	5.16	6.34	7.51	8.69	9.87	11.05	12.23	13.41	14.59	15.77	16.95	18.12	19.30	20.48	
92	2.87	4.07	5.28	6.49	7.69	8.90	10.11	11.31	12.52	13.73	14.93	16.14	17.34	18.55	19.76	20.96	
96	3.03	4.31	5.58	6.86	8.13	9.41	10.69	11.96	13.24	14.51	15.79	17.07	18.34	19.62	20.90	22.17	

FREE AREA (Sq. Ft.)



It is possible for moisture to penetrate louvers under adverse atmospheric conditions. For critical applications, drained ductwork or other means of drainage is recommended.

TEST UNIT SIZE 48" X 48" (15 Min. Duration)

Data shown does not include the effect of a 1/2" x 1/2" x 19 ga. galvanized birdscreen. Graphs are corrected to standard air density .075 lb. per cubic foot.

RECOMMENDED MAXIMUM INTAKE FREE AREA VELOCITY 1100 F.P.M.