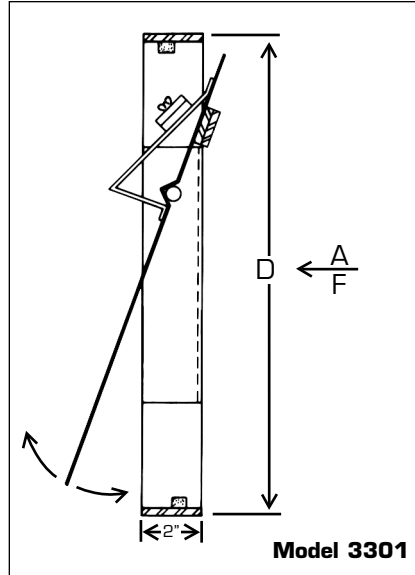
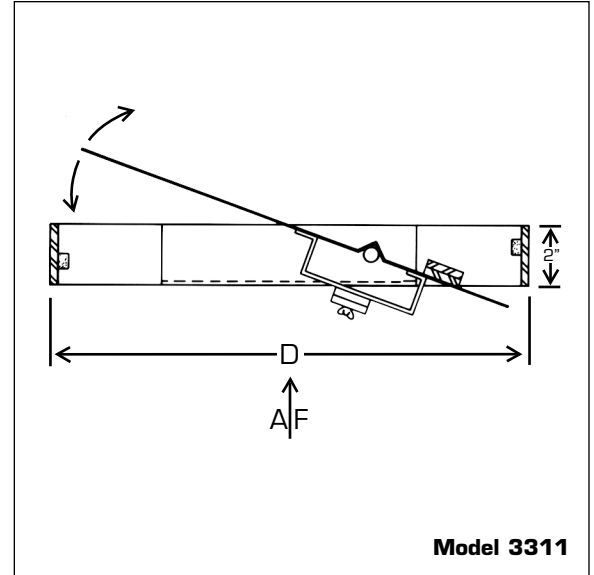




**CERTIFICATION & SUBMITTAL
MODEL 3300
Round Counter-Balanced Backdraft Dampers**



Model 3301



Model 3311

STANDARD SPECIFICATIONS

- **FRAME:** 6" x 7" dia. 14 ga. x 2" galvanized steel.
8" to 20" dia. 1/8" x 2" H.R. Steel.
21" to 24" dia. x 1/4" x 2" H.R. Steel.
- **BLADES:** .080 aluminum.
- **BEARINGS:** 1/2" dia. ball bearings (12" dia. and larger).
- **AXLES:** 1/2" x 2" plated steel rod.
- **ADJUSTABLE WEIGHTS:** 1-1/4" steel blocks on aluminum brackets (12" dia. and larger).
- **COUNTERWEIGHTS:** 1/4" X 1-1/4" galvanized steel bars.
- **FINISH:** Standard Mill.
- **MAXIMUM SIZE:** 24" diameter.
- **MINIMUM SIZE:** 6" diameter.
- **MAX. VELOCITY:** 1500 F.P.M.

NOTES

1. 11" dia. and less requires .063 aluminum blade.
2. D is opening dimension. Unless otherwise specified, dampers are made 1/4" undersize.
3. Multi-blade models not available.
4. Model 3300 not recommended for fan discharge.
5. 11" dia. and less require retractable bearing pins, and are non-adjustable.

