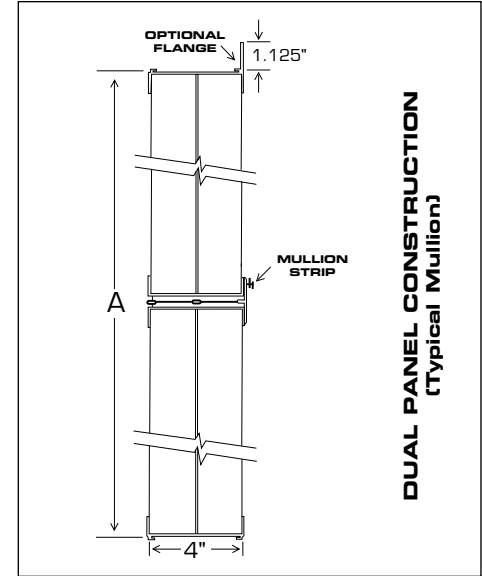
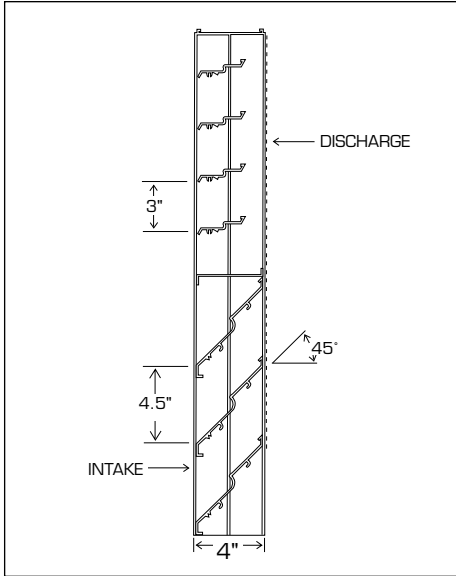




**CERTIFICATION & SUBMITTAL
MODEL 2770 COMBINATION INTAKE/DISCHARGE
CONDENSER LOUVER**

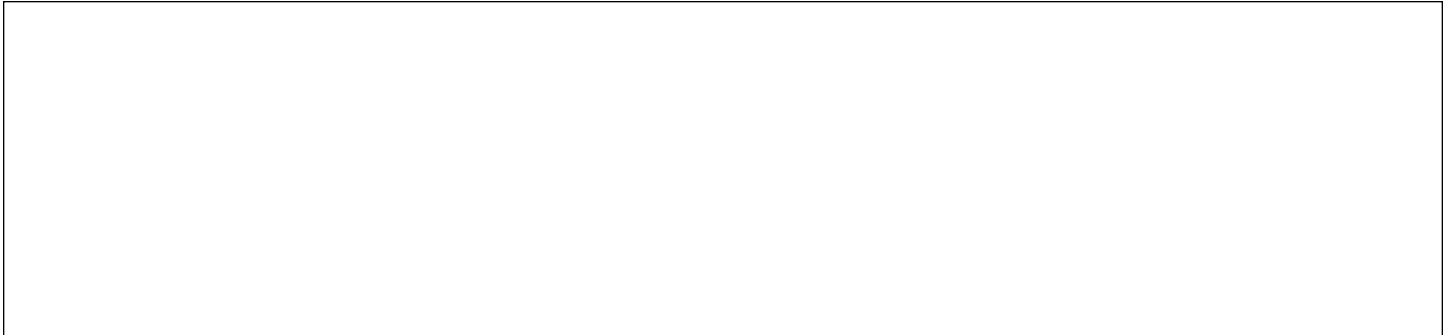


STANDARD SPECIFICATIONS

- **FRAME:** .080 6063T6 extruded aluminum.
- **BLADES:** .080 6063T6 extruded aluminum.
- **DIVIDER:** .063 press formed aluminum.
- **BIRDSCREEN:** .051 X 3/4" diamond pattern expanded aluminum.
- **FINISH:** Standard Mill.
- **MAXIMUM SINGLE SECTION:** 72" x 96"
- **MINIMUM SIZE:** 8" x 12"
- **NOTE:** A & B are opening dimensions. Unless otherwise specified, louvers are made 1/4" undersize.

OPTIONS

- 31 Flange.
- 32 Multiple Section.
- 34 Buck Frame (requires flanged louver).
- 35 Sill Extension.
- 40 Standard Screen in removable frame.
- 42 18 x 16 Mesh aluminum insect screen.
- 43 18 x 16 Mesh bronze insect screen.
- 44 1/2" x 1/2" x 16 gauge S.S. screen.
- 45 1/2" x 1/2" x .063 aluminum screen.
- 89 Sleeve.



**PERFORMANCE DATA MODEL 2770
COMBINATION INTAKE/DISCHARGE CONDENSER LOUVER**

FREE AREA CHART

		A - WIDTH (In Inches)															
		12	16	20	24	28	32	36	40	44	48	52	56	60	64	68	72
B - HEIGHT (In Inches)	12	.21	.29	.38	.46	.55	.63	.72	.80	.89	.97	1.06	1.14	1.23	1.31	1.40	1.48
	16	.33	.46	.59	.73	.86	.99	1.13	1.26	1.39	1.53	1.66	1.79	1.92	2.06	2.19	2.32
	20	.46	.65	.83	1.02	1.21	1.39	1.58	1.76	1.95	2.14	2.32	2.51	2.70	2.88	3.07	3.25
	24	.61	.86	1.11	1.36	1.61	1.86	2.10	2.35	2.60	2.85	3.10	3.35	3.59	3.84	4.09	4.34
	28	.77	1.08	1.39	1.70	2.01	2.32	2.63	2.94	3.25	3.56	3.87	4.18	4.49	4.80	5.11	5.42
	32	.92	1.29	1.67	2.04	2.41	2.78	3.16	3.53	3.90	4.27	4.65	5.02	5.39	5.76	6.14	6.51
	36	1.08	1.51	1.94	2.38	2.81	3.25	3.68	4.12	4.55	4.99	5.42	5.86	6.29	6.73	7.16	7.59
	40	1.20	1.69	2.17	2.66	3.14	3.63	4.11	4.60	5.08	5.57	6.05	6.54	7.02	7.51	7.99	8.48
	44	1.32	1.85	2.39	2.92	3.45	3.99	4.52	5.05	5.59	6.12	6.65	7.18	7.72	8.25	8.78	9.32
	48	1.44	2.02	2.60	3.18	3.76	4.35	4.93	5.51	6.09	6.67	7.25	7.83	8.42	9.00	9.58	10.16
	52	1.56	2.19	2.82	3.45	4.08	4.71	5.34	5.97	6.59	7.22	7.85	8.48	9.11	9.74	10.37	11.00
	56	1.69	2.37	3.06	3.74	4.42	5.11	5.79	6.47	7.15	7.84	8.52	9.20	9.89	10.57	11.25	11.93
	60	1.84	2.59	3.33	4.08	4.82	5.57	6.31	7.06	7.80	8.55	9.29	10.04	10.78	11.53	12.27	13.02
	64	2.00	2.80	3.61	4.42	5.23	6.03	6.84	7.65	8.45	9.26	10.07	10.88	11.68	12.49	13.30	14.10
	68	2.14	3.02	3.89	4.76	5.63	6.50	7.37	8.24	9.10	9.97	10.84	11.71	12.58	13.45	14.32	15.19
72	2.30	3.24	4.17	5.10	6.03	6.96	7.89	8.82	9.76	10.69	11.62	12.55	13.48	14.41	15.34	16.27	

FREE AREA (Sq. Ft.)

RECOMMENDED MAXIMUM INTAKE FREE AREA VELOCITY 700 F.P.M.

NOTE: DISCHARGE SECTION OF LOUVER APPROX. 75 PERCENT FREE AREA.