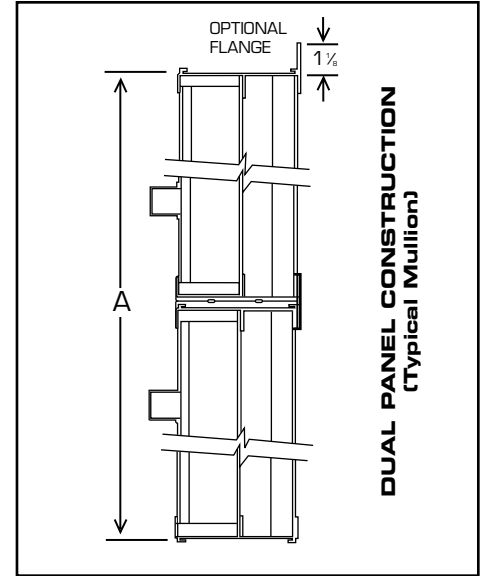
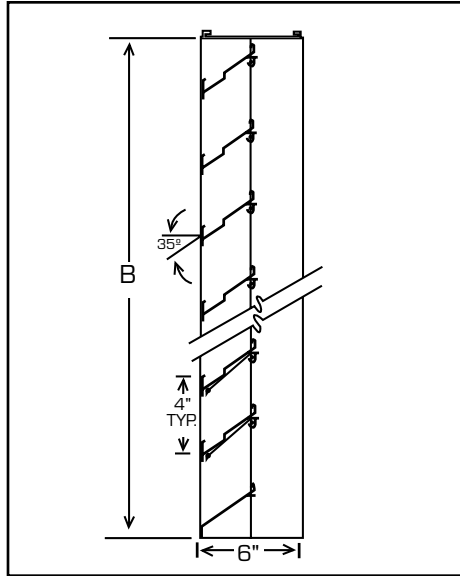




**CERTIFICATION & SUBMITTAL
MODEL 2350 ADJUST-O-VENT COMBINATION DAMPER/LOUVER
AUTOMATIC GRAVITY RELIEF**



STANDARD SPECIFICATIONS

- **FRAME:** .080 6063T5 extruded aluminum.
- **BLADES:** .072 6063T5 extruded aluminum with full length pivoting.
- **BIRDSCREEN:** .051 X 3/4" diamond pattern expanded aluminum.
- **BLADE EDGE SEAL:** Vinyl gasketing extending full length of adjustable blades.
- **FINISH:** Standard Mill.
- **MAXIMUM SINGLE SECTION:** 60" x 96"
- **MINIMUM SIZE:** 12" x 12"
- **NOTE:** A and B are opening dimensions. Unless otherwise specified, louvers are made 1/4" undersize.

OPTIONS

- 31 Flange.
- 32 Multiple Section.
- 34 Buck Frame.
- 35 Sill Extension.
- 40 Standard Screen in removable frame.
- 42 18 x 16 Mesh aluminum insect screen.
- 43 18 x 16 Mesh bronze insect screen.
- 44 1/2" x 1/2" x 16 gauge S.S. screen.
- 45 1/2" x 1/2" x .063 aluminum screen.
- 89 Sleeve.



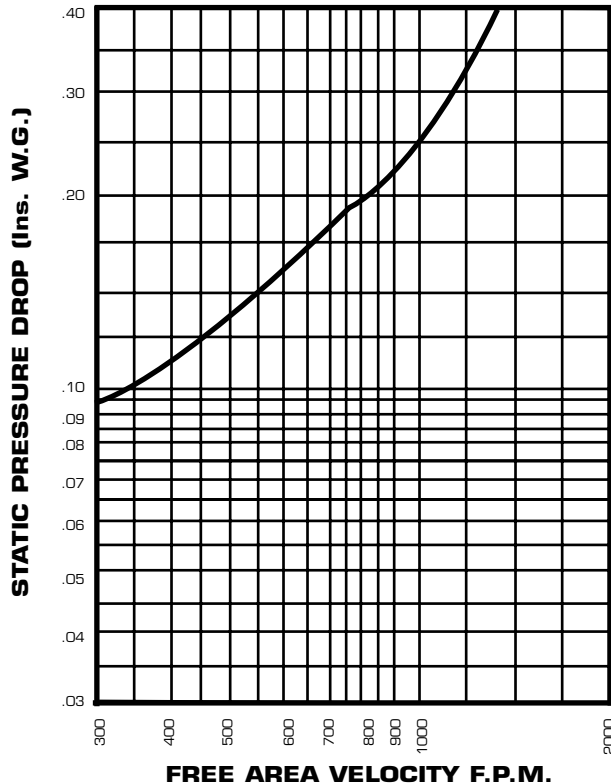
**PERFORMANCE DATA MODEL 2350
EXTRUDED ALUMINUM COMBINATION DAMPER/LOUVER
AUTOMATIC GRAVITY RELIEF**

FREE AREA CHART

| | | A - WIDTH (In Inches) | | | | | | | | | | | | |
|-------------------------------|------|------------------------------|------|------|-------|-------|-------|-------|-------|-------|-------|-------|-------|-------|
| | | 12 | 16 | 20 | 24 | 28 | 32 | 36 | 40 | 44 | 48 | 52 | 56 | 60 |
| B - HEIGHT (In Inches) | 12 | .17 | .24 | .31 | .39 | .46 | .53 | .60 | .68 | .75 | .82 | .90 | .97 | 1.04 |
| | 16 | .33 | .48 | .62 | .77 | .92 | 1.06 | 1.21 | 1.35 | 1.50 | 1.65 | 1.79 | 1.94 | 2.08 |
| | 20 | .50 | .72 | .94 | 1.16 | 1.37 | 1.59 | 1.81 | 2.03 | 2.25 | 2.47 | 2.69 | 2.91 | 3.12 |
| | 24 | .67 | .96 | 1.25 | 1.54 | 1.83 | 2.12 | 2.42 | 2.71 | 3.00 | 3.29 | 3.58 | 3.87 | 4.17 |
| | 28 | .83 | 1.20 | 1.56 | 1.93 | 2.29 | 2.65 | 3.02 | 3.38 | 3.75 | 4.11 | 4.48 | 4.84 | 5.21 |
| | 32 | 1.00 | 1.44 | 1.87 | 2.31 | 2.75 | 3.19 | 3.62 | 4.06 | 4.50 | 4.94 | 5.37 | 5.81 | 6.25 |
| | 36 | 1.16 | 1.67 | 2.19 | 2.70 | 3.21 | 3.72 | 4.23 | 4.74 | 5.25 | 5.76 | 6.27 | 6.78 | 7.29 |
| | 40 | 1.33 | 1.91 | 2.50 | 3.08 | 3.66 | 4.25 | 4.83 | 5.41 | 6.00 | 6.58 | 7.16 | 7.75 | 8.33 |
| | 44 | 1.50 | 2.15 | 2.81 | 3.47 | 4.12 | 4.78 | 5.43 | 6.09 | 6.75 | 7.40 | 8.06 | 8.72 | 9.37 |
| | 48 | 1.66 | 2.39 | 3.12 | 3.85 | 4.58 | 5.31 | 6.04 | 6.77 | 7.50 | 8.23 | 8.96 | 9.68 | 10.41 |
| | 52 | 1.83 | 2.63 | 3.43 | 4.24 | 5.04 | 5.84 | 6.64 | 7.44 | 8.25 | 9.05 | 9.85 | 10.65 | 11.45 |
| | 56 | 2.00 | 2.87 | 3.75 | 4.62 | 5.50 | 6.37 | 7.25 | 8.12 | 9.00 | 9.87 | 10.75 | 11.62 | 12.50 |
| | 60 | 2.16 | 3.11 | 4.06 | 5.01 | 5.95 | 6.90 | 7.85 | 8.80 | 9.75 | 10.69 | 11.64 | 12.59 | 13.54 |
| | 64 | 2.33 | 3.35 | 4.37 | 5.39 | 6.41 | 7.43 | 8.45 | 9.47 | 10.50 | 11.52 | 12.54 | 13.56 | 14.58 |
| | 68 | 2.50 | 3.59 | 4.68 | 5.78 | 6.87 | 7.96 | 9.06 | 10.15 | 11.25 | 12.34 | 13.43 | 14.53 | 15.62 |
| | 72 | 2.66 | 3.83 | 4.99 | 6.16 | 7.33 | 8.49 | 9.66 | 10.83 | 11.99 | 13.16 | 14.33 | 15.49 | 16.66 |
| 76 | 2.83 | 4.07 | 5.31 | 6.55 | 7.79 | 9.03 | 10.27 | 11.50 | 12.74 | 13.98 | 15.22 | 16.46 | 17.70 | |
| 80 | 2.99 | 4.31 | 5.62 | 6.93 | 8.24 | 9.56 | 10.87 | 12.18 | 13.49 | 14.81 | 16.12 | 17.43 | 18.74 | |
| 84 | 3.16 | 4.55 | 5.93 | 7.32 | 8.70 | 10.09 | 11.47 | 12.86 | 14.24 | 15.63 | 17.01 | 18.40 | 19.79 | |
| 88 | 3.33 | 4.79 | 6.24 | 7.70 | 9.16 | 10.62 | 12.08 | 13.54 | 14.99 | 16.45 | 17.91 | 19.37 | 20.83 | |
| 92 | 3.49 | 5.02 | 6.56 | 8.09 | 9.62 | 11.15 | 12.68 | 14.21 | 15.74 | 17.27 | 18.81 | 20.34 | 21.87 | |
| 96 | 3.66 | 5.26 | 6.87 | 8.47 | 10.08 | 11.68 | 13.28 | 14.89 | 16.49 | 18.10 | 19.70 | 21.31 | 22.91 | |

FREE AREA (Sq. Ft.)

AIR PERFORMANCE TEST



RECOMMENDED MAXIMUM INTAKE FREE AREA VELOCITY 1000 F.P.M.