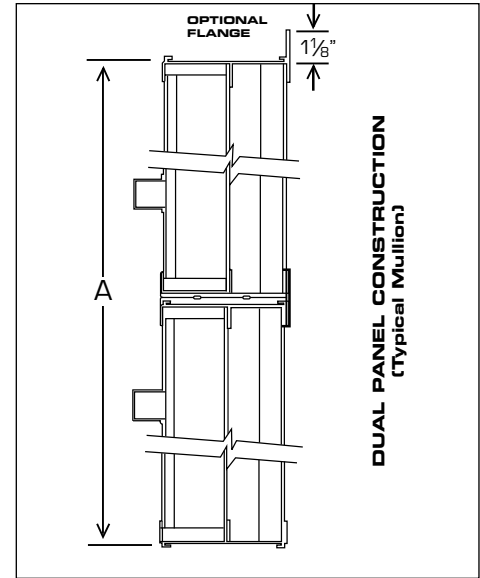
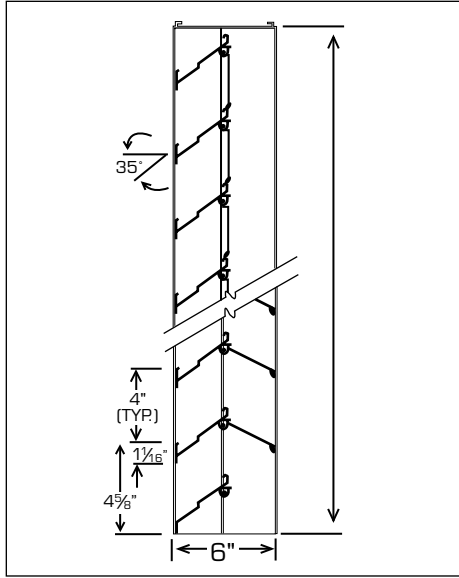




**CERTIFICATION & SUBMITTAL  
MODEL 2200 ADJUST-O-VENT COMBINATION DAMPER/LOUVER  
AUTOMATIC GRAVITY INTAKE**



**STANDARD SPECIFICATIONS**

- **FRAME:** .080 6063T5 extruded aluminum.
- **BLADES:** .072 6063T5 extruded aluminum with full length pivoting.
- **BIRDSCREEN:** .051 X 3/4" diamond pattern expanded aluminum.
- **BLADE EDGE SEAL:** Vinyl gasketing extending full length of adjustable blades.
- **FINISH:** Standard Mill.
- **MAXIMUM SINGLE SECTION:** 60" x 96"
- **MINIMUM SIZE:** 12" x 12"
- **NOTE:**
  1. A and B are opening dimensions. Unless otherwise specified, louvers are made 1/4" undersize.
  2. It is possible that moisture will penetrate this louver during certain atmospheric conditions.

**OPTIONS**

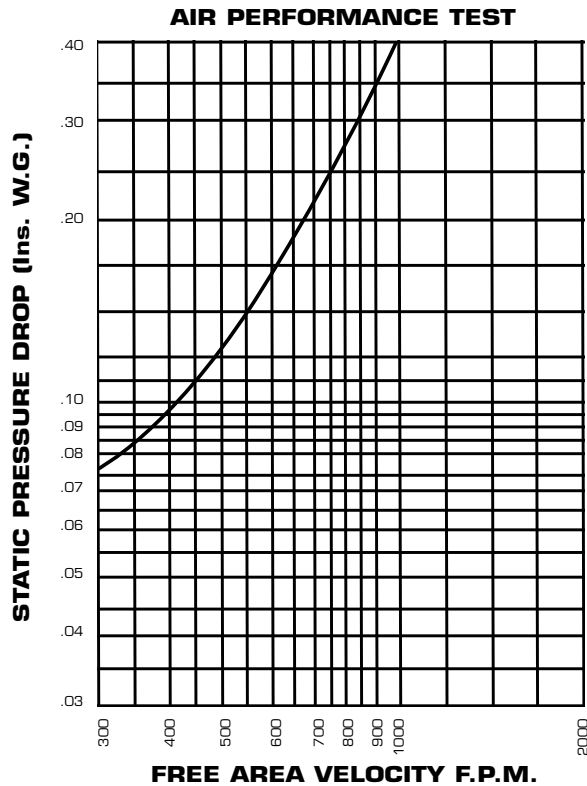
- 31 Flange.
- 32 Multiple Section.
- 34 Buck Frame.
- 35 Sill Extension.
- 40 Standard Screen in removable frame.
- 42 18 x 16 Mesh aluminum insect screen.
- 43 18 x 16 Mesh bronze insect screen.
- 44 1/2" x 1/2" x 16 gauge S.S. screen.
- 45 1/2" x 1/2" x .063 aluminum screen.
- 89 Sleeve.

**PERFORMANCE DATA MODEL 2200  
EXTRUDED ALUMINUM COMBINATION DAMPER/LOUVER  
AUTOMATIC GRAVITY INTAKE**

**FREE AREA CHART**

		<b>A - WIDTH (In Inches)</b>												
		12	16	20	24	28	32	36	40	44	48	52	56	60
<b>B - HEIGHT (In Inches)</b>	12	.20	.28	.37	.46	.55	.63	.72	.81	.89	.98	1.07	1.15	1.24
	16	.40	.57	.74	.92	1.09	1.26	1.44	1.61	1.78	1.96	2.13	2.31	2.48
	20	.59	.85	1.11	1.38	1.64	1.90	2.16	2.42	2.68	2.94	3.20	3.46	3.72
	24	.79	1.14	1.49	1.83	2.18	2.53	2.88	3.22	3.57	3.92	4.26	4.61	4.96
	28	.99	1.42	1.86	2.29	2.73	3.16	3.59	4.03	4.46	4.90	5.33	5.76	6.20
	32	1.19	1.71	2.23	2.75	3.27	3.79	4.31	4.83	5.35	5.88	6.40	6.92	7.44
	36	1.39	1.99	2.60	3.21	3.82	4.42	5.03	5.64	6.25	6.85	7.46	8.07	8.68
	40	1.39	1.99	2.60	3.21	3.82	4.42	5.03	5.64	6.25	6.85	7.46	8.07	8.68
	44	1.58	2.28	2.97	3.67	4.36	5.06	5.75	6.45	7.14	7.83	8.53	9.22	9.92
	48	1.78	2.56	3.34	4.13	4.91	5.69	6.47	7.25	8.03	8.81	9.59	10.38	11.16
	52	1.98	2.85	3.72	4.58	5.45	6.32	7.19	8.06	8.92	9.79	10.68	11.53	12.40
	56	2.18	3.13	4.09	5.04	6.00	6.95	7.91	8.86	9.82	10.77	11.73	12.68	13.64
	60	2.38	3.42	4.46	5.50	6.54	7.58	8.63	9.67	10.71	11.75	12.79	13.83	14.88
	64	2.57	3.70	4.83	5.96	7.09	8.22	9.35	10.47	11.60	12.73	13.86	14.99	16.12
	68	2.77	3.99	5.20	6.42	7.63	8.85	10.06	11.28	12.49	13.71	14.93	16.14	17.36
	72	2.97	4.27	5.57	6.88	8.18	9.48	10.78	12.09	13.39	14.69	15.99	17.29	18.60
76	3.17	4.56	5.95	7.34	8.72	10.11	11.50	12.89	14.28	15.67	17.06	18.45	19.84	
80	3.37	4.84	6.32	7.79	9.27	10.74	12.22	13.70	15.17	16.65	18.12	19.60	21.07	
84	3.56	5.13	6.69	8.25	9.81	11.38	12.94	14.50	16.06	17.63	19.19	20.75	22.31	
88	3.76	5.41	7.06	8.71	10.36	12.01	13.66	15.31	16.96	18.61	20.26	21.90	23.55	
92	3.96	5.70	7.43	9.17	10.90	12.64	14.38	16.11	17.85	19.59	21.32	23.06	24.79	
96	3.96	5.70	7.43	9.17	10.90	12.64	14.38	16.11	17.85	19.59	21.32	23.06	24.79	

**FREE AREA (Sq. Ft.)**



**TEST UNIT SIZE 48" X 48" (15 Min. Duration)**

Data shown includes the effect of .051 x 3/4" diamond pattern aluminum birdscreen. Graphs are corrected to standard air density .075 lb. per cubic foot.

**RECOMMENDED MAXIMUM INTAKE FREE AREA VELOCITY 500 F.P.M.**