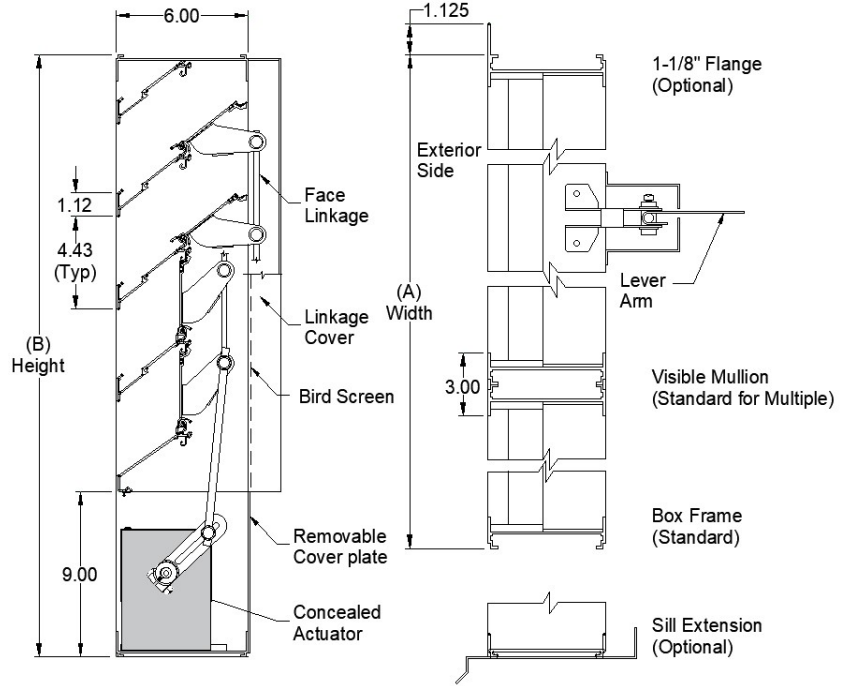
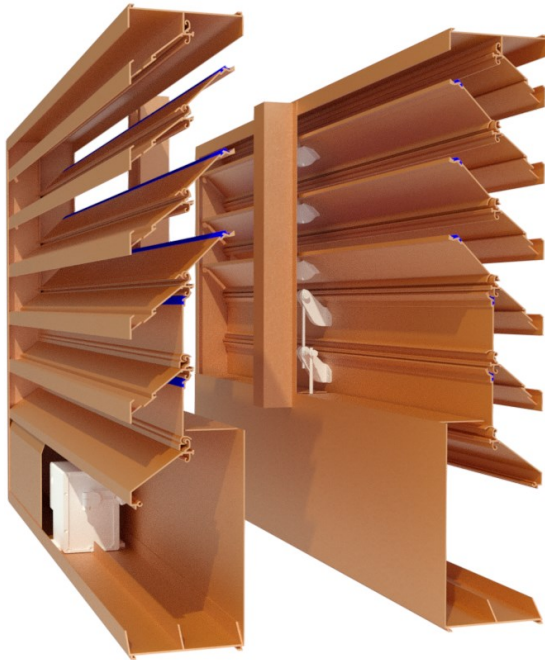




VENT PRODUCTS CO., INC.
 Certifies that the 2000 louver shown herein is licensed to bear the AMCA Seal. The ratings shown are based on tests and procedures performed in accordance with AMCA Publications 511 and comply with the requirements of the AMCA Certified Ratings Program. The AMCA Certified Ratings Seal applies to air performance and ratings and water penetration ratings.

VENT PRODUCTS CO., INC.
 1901 South Kilbourn Avenue Chicago, Illinois 60623
 Telephone : 773-521-1900
 Fax No. : 773-521-5613
 Website: www.ventproducts.com

CERTIFICATION & SUBMITTAL
MODEL: 2000-CM Combination Damper/Louver with Concealed Motor
6" Deep with Fixed Drainable and Adjustable Blade



STANDARD SPECIFICATIONS

- **FRAME:** .080 6063T5 extruded aluminum.
- **BLADES:** .072 6063T5 extruded aluminum with full length pivoting.
- **BIRDSCREEN:** .051 X 3/4" diamond pattern expanded aluminum.
- **HARDWARE:** Plated steel center brackets; brass pivots; 5/16" dia. plated steel linkage rod.
- **OPERATING ARM:** 14 gauge galvanized steel.
- **COVER CHANNEL:** 063 aluminum.
- **BLADE EDGE SEAL:** Vinyl gasketing extending full length of adjustable blades.
- **FINISH:** Standard Mill.
- **MAXIMUM SINGLE SECTION:** 60" x 60", 48" x 72", 24" x 96"
- **MINIMUM SIZE:** 12" x 12"
- **NOTE:** A and B are opening dimensions. Unless otherwise specified, louvers are made 1/4" undersize.

OPTIONS

- 31 Flange.
- 32 Multiple Section.
- 34 Buck Frame (requires flanged louver).
- 35 Sill Extension.
- 40 Standard Screen in removable frame.
- 42 18 x 16 Mesh aluminum insect screen.
- 43 18 x 16 Mesh bronze insect screen.
- 44 1/2" x 1/2" x 16 gauge S.S. screen.
- 45 1/2" x 1/2" x .063 aluminum screen.
- 89 Sleeve.

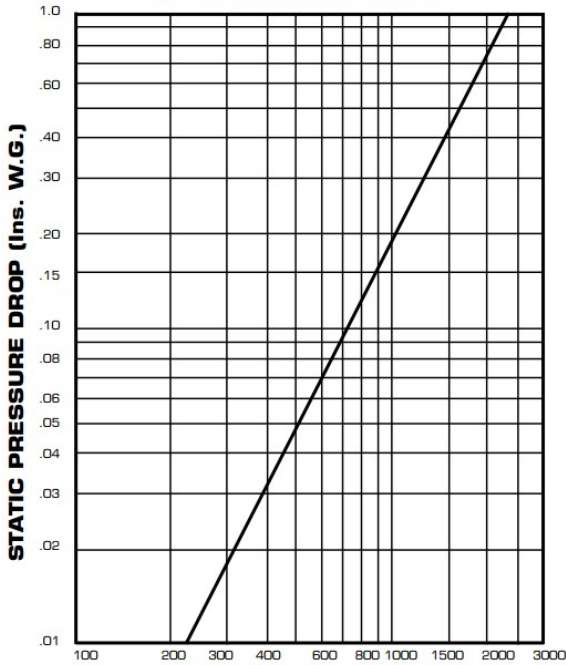
Notes:

1. Louvers may be used MA-418 or MA-405.
2. Louver free area is reduced by 9" blankoff.



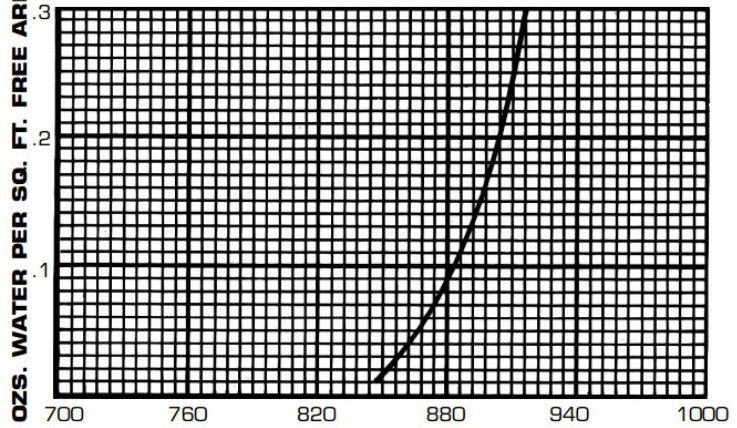
PERFORMANCE DATA
MODEL: 2000-CM Combination Damper/Louver
 6" Deep with Fixed Drainable and Adjustable Blade

AIR PERFORMANCE TEST



FREE AREA VELOCITY F.P.M.

WATER PENETRATION CHART



THE BEGINNING OF WATER PENETRATION IS 847 R.P.M.

It is possible for moisture to penetrate louvers under adverse atmospheric conditions. For critical applications, drained ductwork or other means of drainage is recommended.

TEST UNIT SIZE 48" X 48" (15 Min. Duration)

Data shown includes the effect of .051 x 3/4" diamond pattern aluminum birdscreen. Graphs are corrected to standard air density .075 lb. per cubic foot.

RECOMMENDED MAXIMUM INTAKE FREE AREA VELOCITY 800 F.P.M



VENT PRODUCTS CO., INC.

Certifies that the 2000 louver shown herein is licensed to bear the AMCA Seal. The ratings shown are based on tests and procedures performed in accordance with AMCA Publications 511 and comply with the requirements of the AMCA Certified Ratings Program. The AMCA Certified Ratings Seal applies to air performance and ratings and water penetration ratings.

FREE AREA CHART (sq ft)

A - WIDTH (In Inches)

B - HEIGHT (In Inches)	A - WIDTH (In Inches)												
	12	16	20	24	28	32	36	40	44	48	52	56	60
12	.17	.24	.31	.38	.46	.53	.60	.68	.75	.82	.89	.97	1.04
16	.33	.38	.62	.77	.91	1.06	1.21	1.35	1.50	1.64	1.79	1.94	2.08
20	.33	.48	.62	.77	.91	1.06	1.21	1.35	1.50	1.64	1.79	1.94	2.08
24	.50	.72	.93	1.15	1.37	1.59	1.81	2.03	2.25	2.47	2.68	2.90	3.12
28	.66	.95	1.25	1.54	1.83	2.12	2.41	2.70	3.00	3.29	3.58	3.87	4.16
32	.83	1.19	1.56	1.92	2.29	2.65	3.02	3.38	3.75	4.11	4.47	4.84	5.20
36	.99	1.43	1.87	2.31	2.74	3.18	3.62	4.06	4.49	4.93	5.37	5.81	6.24
40	1.16	1.67	2.18	2.69	3.20	3.71	4.22	4.73	5.24	5.75	6.26	6.77	7.28
44	1.33	1.91	2.49	3.08	3.66	4.24	4.83	5.41	5.99	6.58	7.16	7.74	8.33
48	1.49	2.15	2.80	3.46	4.12	4.77	5.43	6.09	6.74	7.40	8.05	8.71	9.37
52	1.66	2.39	3.12	3.84	4.57	5.30	6.03	6.76	7.49	8.22	8.95	9.68	10.41
56	1.82	2.62	3.43	4.23	5.03	5.83	6.64	7.44	8.24	9.04	9.84	10.65	11.45
60	1.82	2.62	3.43	4.23	5.03	5.83	6.64	7.44	8.24	9.04	9.84	10.65	11.45
64	1.99	2.86	3.74	4.61	5.49	6.36	7.24	8.11	8.99	9.86	10.74	11.61	12.49
68	2.15	3.10	4.05	5.00	5.95	6.89	7.84	8.79	9.74	10.69	11.63	12.58	13.53
72	2.32	3.34	4.36	5.38	6.40	7.42	8.44	9.47	10.49	11.51	12.53	13.55	14.57
76	2.49	3.58	4.67	5.77	6.86	7.95	9.05	10.14	11.24	12.33	13.42	14.52	15.61
80	2.65	3.82	4.98	6.15	7.32	8.48	9.65	10.82	11.98	13.15	14.32	15.48	16.65
84	2.82	4.06	5.30	6.54	7.78	9.01	10.25	11.49	12.73	13.97	15.21	16.45	17.69
88	2.98	4.30	5.61	6.92	8.23	9.55	10.86	12.17	13.48	14.80	16.11	17.42	18.73
92	3.15	4.53	5.92	7.20	8.69	10.08	11.46	12.85	14.23	15.62	17.00	18.39	19.77
96	3.31	4.77	6.23	7.69	9.15	10.61	12.06	13.52	14.98	16.44	17.90	19.36	20.81