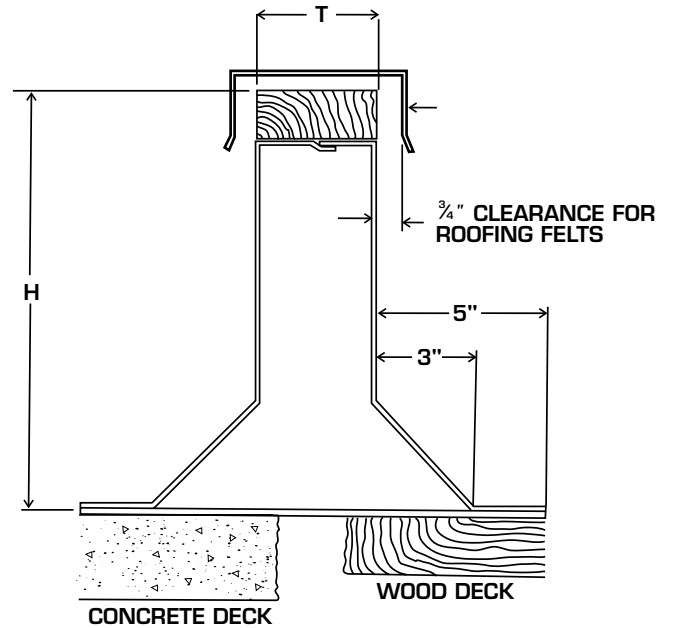
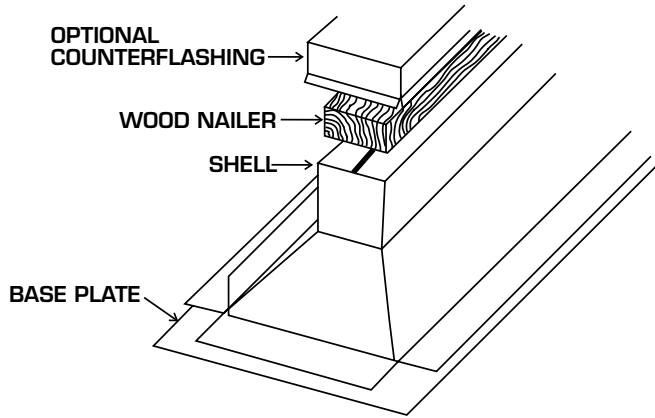




**CERTIFICATION & SUBMITTAL  
 MODEL 8210 - EQUIPMENT SUPPORTS  
 STANDARD 3" - 45° CANT**



**STANDARD SPECIFICATIONS**

- **SHELL & BASE PLATE:** 18 ga. galvanized press formed steel. Continuous welds on shell seams. Internal reinforcing supports welded as required.
- **WOOD NAILER:** Fir, factory installed.
- **AVAILABLE "T" DIMENSIONS:**  
 MODEL 8211: 1-1/2"  
 MODEL 8213: 3-1/2" - standard  
 MODEL 8215: 5-1/2"

**OPTIONS**

- 52 No nailer
- 53 Treated wood nailer
- 54 Oversized nailer
- 55 Neoprene gasket 1 1/2" or 2" x 1/4" (please specify)
- 65 One way pitch
- 67 Flashing cap
- 66 Two way pitch
- 81 16 ga. construction
- 82 14 ga. construction
- 86 Aluminum construction

**NOTES**

1. MINIMUM RECOMMENDED "H" = 8"
2. Large units, depending on freight requirements are shipped knocked down in multiple sections for field assembly.

