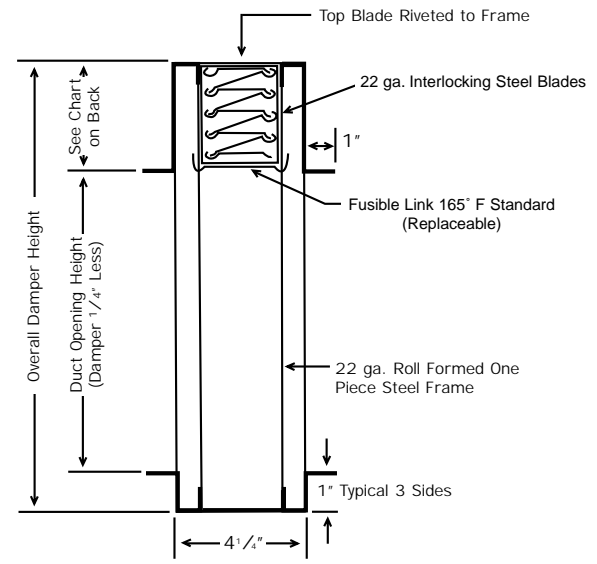
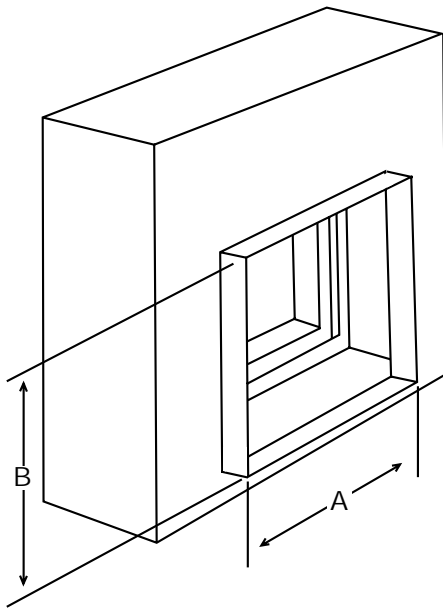
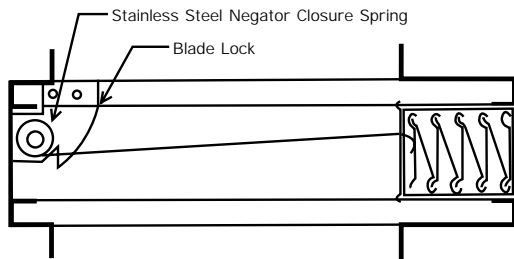




CERTIFICATION & SUBMITTAL
MODEL 5500 FIRE-TITE™ UL FIRE DAMPERS
"C" Frames Square or Rectangular
FOR USE IN STATIC SYSTEMS ONLY



**VERTICAL MOUNT
 MODEL 5530**



**HORIZONTAL MOUNT
 MODEL 5531**

UNDERWRITERS LABORATORIES, INC.™
 CLASSIFIED
 FIRE DAMPER No.
 FIRE RESISTANCE RATING 1-1/2 HOUR

**VENT
 PRODUCTS
 CO., INC.**

**California Fire Marshal
 Listing No. 3225-1078:100**

ALL DAMPERS 1/4" UNDER LISTED DIMENSIONS

MINIMUM SIZE: 4" x 4"

MAXIMUM DUCT OPENING

SINGLE SECTION:

VERTICAL: 58" x 52"

HORIZONTAL: 58" x 52"

MAXIMUM MULTIPLE SECTION

Not available

MATERIALS: Standard construction – galvanized steel.

Specifications for all material per Underwriters Laboratories Standard for Safety UL 555.

UNDERWRITERS LABORATORIES: Labeled for use in sizes no larger than shown in UL Building Materials List in a 2-hour fire partition.

Meets N.F.P.A. 90A Requirements.

Refer to Form 5505 for installation instructions.

Optional 304 Stainless Steel Construction available.

Optional 212°F Fusible Link available.

SIZING DATA
MODEL 5500 FIRE-TITE™ UL FIRE DAMPERS
"C" Frames

DUCT OPENING HEIGHT INCHES	TYPE OVERALL HEIGHT
4	6
5	7
6	8
7	9
8	11
9	12
10	13
11	14
12	15
13	16
14	17
15	18
16	19
17	21
18	22
19	23
20	24
21	25
22	26
23	27
24	28
25	29
26	30
27	32
28	33
29	34
30	35
31	36
32	37
33	38
34	39
35	40
36	42
37	43
38	44
39	45
40	46
41	47
42	48
43	49
44	50
45	52
46	53
47	54
48	55
49	56
50	57
51	58
52	59
53	60

