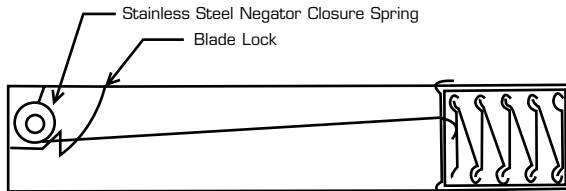
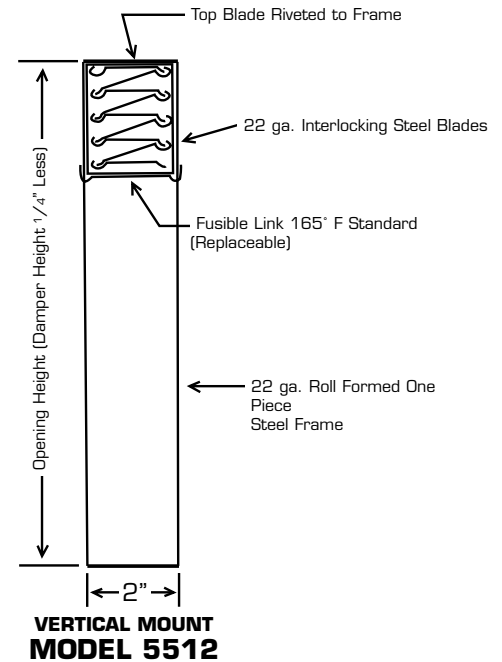
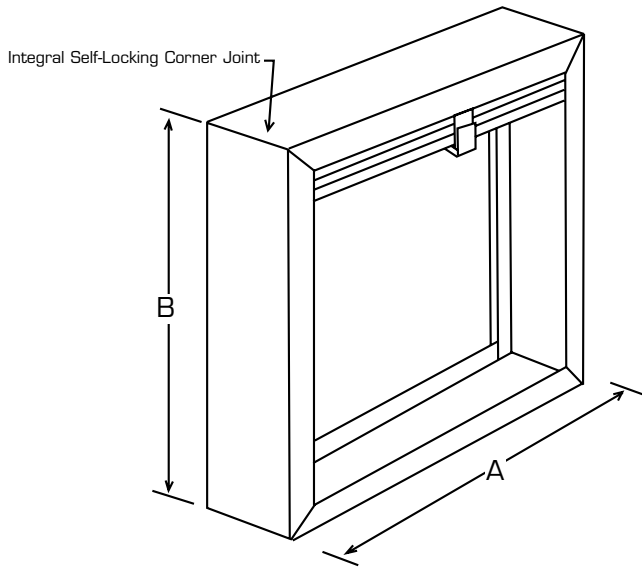




**VENT PRODUCTS CO., INC.**  
 1901 South Kilbourn Avenue Chicago, Illinois 60623  
 Telephone: 773/521-1900  
 Outside Illinois: 800/368-8368  
 FAX: 773/521-5613

**CERTIFICATION & SUBMITTAL**  
**MODEL 5500 FIRE-TITE™ UL FIRE DAMPERS**  
 Thin "2" Frame  
**FOR USE IN STATIC SYSTEMS ONLY**



**HORIZONTAL MOUNT  
 MODEL 5513**

**UNDERWRITERS LABORATORIES, INC.™**  
 CLASSIFIED  
 FIRE DAMPER No.   
 FIRE RESISTANCE RATING 1-1/2 HOUR

**VENT  
 PRODUCTS  
 CO., INC.**

**California Fire Marshal**  
**Listing No. 3225-1078:100**

**ALL DAMPERS 1/4" UNDER LISTED DIMENSIONS**

**MINIMUM SIZE:** 4" x 4"

**MAXIMUM DUCT OPENING**

**SINGLE SECTION:**

**VERTICAL:** 41" x 36" or 36" x 60"

**HORIZONTAL:** 41" x 36"

**MAXIMUM MULTIPLE SECTION**

Not available

Sizes shown are for Type A construction.  
 Consult factory for Type B, Type C and Type CR.

**SPECIAL TYPES:** Variations of 2" deep channel frame are available incorporating the Type B, Type C or Type CR construction: Models 5522, 5523, 5532, 5533, 5542, 5543, 5552 and 5553.

**MATERIALS:** Standard construction – galvanized steel.  
 Specifications for all material per Underwriters Laboratories Standard for Safety UL 555.

**UNDERWRITERS LABORATORIES:** Labeled for use in sizes no larger than shown in UL Building Materials List in a 2-hour fire partition.

Meets N.F.P.A. 90A Requirements

Optional 304 Stainless Steel Construction available

Optional 212°F Fusible Link available