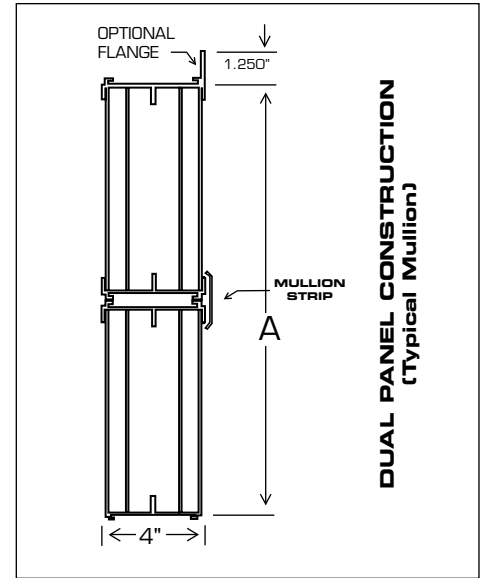
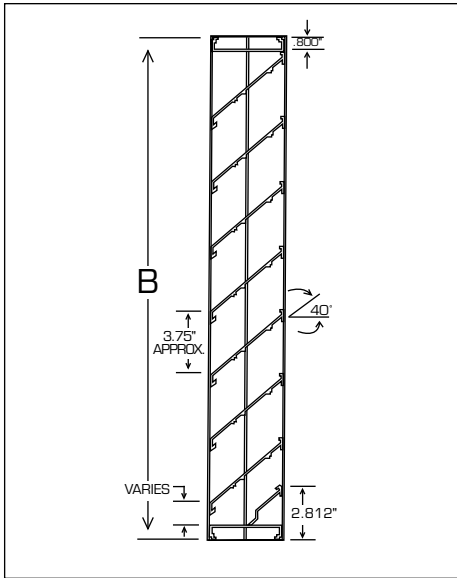




**CERTIFICATION & SUBMITTAL
MODEL 2730 EXTRUDED ALUMINUM AREST-O-VENT
4" Deep "J" Blade @ 40°**



STANDARD SPECIFICATIONS

- **FRAME:** .081 6063T5 extruded aluminum.
- **BLADES:** .081 6063T5 extruded aluminum.
- **BIRDSCREEN:** .051 X 3/4" diamond pattern expanded aluminum.
- **FINISH:** Standard Mill.
- **MAXIMUM SINGLE SECTION:** 72" x 96"
- **MINIMUM SIZE:** 12" x 12"
- **NOTE:** A and B are opening dimensions. Unless otherwise specified, louvers are made 1/4" undersize.

OPTIONS

- 31 Flange
- 32 Multiple Section
- 34 Buck Frame requires flanged louver.
- 35 Sill Extension.
- 40 Standard Screen in removable frame.
- 42 18 x 16 Mesh aluminum insect screen.
- 43 18 x 16 Mesh bronze insect screen.
- 44 1/2" x 1/2" x 16 gauge S.S. screen.
- 45 1/2" x 1/2" x .063 aluminum screen.
- 89 Sleeve.





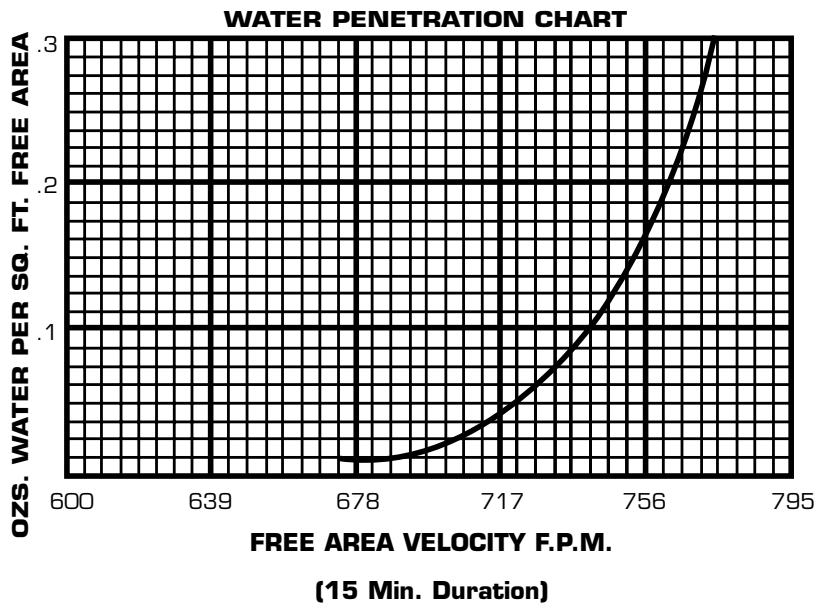
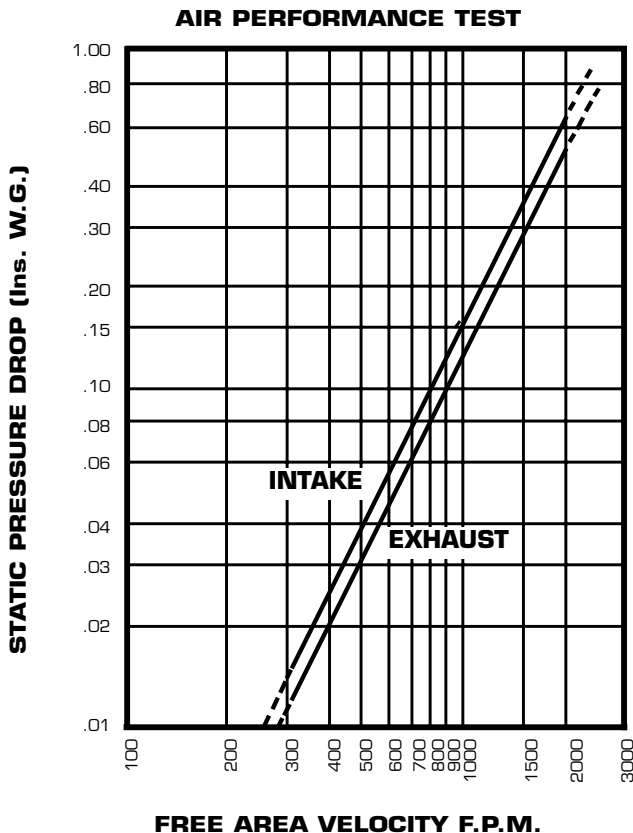
PERFORMANCE DATA MODEL 2730 EXTRUDED ALUMINUM AREST-O-VENT 4" Deep "J" Blade @ 40°

Vent Products certifies that Model 2730 Louver shown herein is licensed to bear the AMCA Seal. The ratings shown are based on tests and procedures performed in accordance with AMCA Publication 511 and comply with the requirements of the AMCA Certified Ratings Program. The AMCA Certified Ratings Seal applies to air performance ratings and water penetration ratings.

FREE AREA CHART

		A - WIDTH (In Inches)															
		12	16	20	24	28	32	36	40	44	48	52	56	60	64	68	72
B - HEIGHT (In Inches)	12	.26	.36	.47	.57	.68	.78	.89	.99	1.10	1.20	1.31	1.41	1.52	1.62	1.73	1.83
	16	.44	.62	.80	.97	1.15	1.33	1.51	1.68	1.86	2.04	2.22	2.40	2.57	2.75	2.93	3.11
	20	.61	.86	1.11	1.35	1.60	1.85	2.10	2.34	2.59	2.84	3.08	3.33	3.58	3.83	4.07	4.32
	24	.80	1.12	1.44	1.76	2.08	2.41	2.73	3.05	3.37	3.69	4.02	4.34	4.66	4.98	5.30	5.62
	28	.97	1.36	1.75	2.14	2.53	2.93	3.32	3.71	4.10	4.49	4.88	5.27	5.66	6.06	6.45	6.84
	32	1.14	1.60	2.05	2.51	2.97	3.43	3.89	4.35	4.81	5.27	5.73	6.19	6.64	7.10	7.56	8.02
	36	1.32	1.85	2.38	2.91	3.44	3.98	4.51	5.04	5.57	6.10	6.64	7.17	7.70	8.23	8.76	9.30
	40	1.50	2.10	2.71	3.31	3.92	4.52	5.13	5.73	6.34	6.94	7.55	8.15	8.76	9.36	9.97	10.57
	44	1.68	2.36	3.03	3.71	4.39	5.07	5.74	6.42	7.10	7.78	8.46	9.13	9.81	10.49	11.17	11.84
	48	1.86	2.61	3.36	4.11	4.86	5.61	6.36	7.11	7.86	8.61	9.36	10.12	10.87	11.62	12.37	13.12
	52	2.04	2.86	3.69	4.51	5.33	6.16	6.98	7.80	8.63	9.45	10.27	11.10	11.92	12.75	13.57	14.39
	56	2.19	3.08	3.96	4.85	5.73	6.62	7.50	8.39	9.27	10.16	11.04	11.93	12.81	13.70	14.58	15.47
	60	2.40	3.37	4.34	5.31	6.28	7.25	8.22	9.19	10.15	11.12	12.09	13.06	14.03	15.00	15.97	16.94
	64	2.55	3.58	4.61	5.64	6.66	7.69	8.72	9.75	10.78	11.81	12.84	13.87	14.90	15.93	16.96	17.99
	68	2.73	3.83	4.93	6.03	7.13	8.23	9.33	10.44	11.54	12.64	13.74	14.84	15.94	17.04	18.15	19.25
	72	2.90	4.08	5.25	6.42	7.60	8.77	9.94	11.12	12.29	13.46	14.64	15.81	16.99	18.16	19.33	20.51
76	3.08	4.33	5.57	6.82	8.06	9.31	10.56	11.80	13.05	13.29	15.54	16.78	18.03	19.27	20.52	21.76	
80	3.26	4.58	5.90	7.21	8.53	9.85	11.17	12.48	13.80	15.12	16.44	17.75	19.07	20.39	21.71	23.02	
84	3.39	4.76	6.13	7.49	8.86	10.23	11.60	12.97	14.34	15.71	17.08	18.44	19.81	21.18	22.55	23.92	
88	3.57	5.01	6.45	7.89	9.33	10.78	12.22	13.66	15.10	16.54	17.98	19.43	20.87	22.31	23.75	25.19	
92	3.75	5.26	6.78	8.29	9.81	11.32	12.84	14.35	15.87	17.38	18.89	20.41	21.92	23.44	24.95	26.47	
96	3.93	5.52	7.10	8.69	10.28	11.87	13.45	15.04	16.63	18.22	19.80	21.39	22.98	24.57	26.15	27.74	

FREE AREA (Sq. Ft.)



THE BEGINNING OF WATER PENETRATION IS 674 F.P.M.

It is possible for moisture to penetrate louvers under adverse atmospheric conditions. For critical applications, drained ductwork or other means of drainage is recommended.

TEST UNIT SIZE 48" X 48"

Data shown includes the effect of a aluminum birdscreen. Graphs are corrected to standard air density .075 lb. per cubic foot.

RECOMMENDED MAXIMUM INTAKE FREE AREA VELOCITY 650 FPM